



# H3 Series

Horizontal Indoor Air Handling Units



UL-60335

## Installation, Operation & Maintenance



### **! WARNING**

#### QUALIFIED INSTALLER

Improper installation, adjustment, alteration, service or maintenance can cause property damage, personal injury or loss of life. Startup and service must be performed by a Factory Trained Service Technician competent in working with flammable refrigerants. A copy of this IOM must be kept with the unit.

### **! WARNING**

#### FOR YOUR SAFETY

Do not store or use gasoline or other flammable vapors and liquids in the vicinity of this or any other appliance.

### **! WARNING**

If the information in this manual is not followed exactly, a fire or explosion may result causing property damage, personal injury or loss of life.

## Table of Contents

Safety .....	7
H3 Base Model Description.....	12
General Information.....	18
Codes and Ordinances.....	19
Receiving Unit.....	19
Storage.....	20
Wiring Diagrams .....	20
Installation.....	20
Locating the Unit.....	20
Lifting and Handling the Unit .....	25
Unit Assembly.....	25
Control Box.....	27
Electrical.....	28
Duct Connection.....	31
Condensate Drain Pans.....	32
Condensate Drain Piping.....	32
Startup.....	33
Filters.....	33
Supply Fans.....	33
Fan Air Flow Adjustment.....	33
Operation.....	35
Thermostat Operation.....	35
Split System DX Cooling Operation and Control.....	35
Chilled Water or Non-Compressorized DX Cooling Operation .....	35
Steam or Hot Water Preheating Operation.....	35
Electric Heating Operation.....	35
Gas Heater Operation .....	35
Maintenance.....	36
DX Cooling.....	36
Condensate Drain Pans.....	36
Winterizing Coils .....	36
Supply Fans.....	36
E-Coated Coil Cleaning .....	36
Options.....	39
Heating Coils.....	39
Chilled Water Coil .....	40
Direct Expansion (DX) Systems .....	40
Evaporator Coil .....	41
Thermal Expansion Valve.....	42
Hot Gas Reheat.....	42
Hot Gas Bypass .....	42
Purge Circuit .....	42
Adjusting Refrigerant Charge .....	43
Energy Recovery Units .....	49

<i>Initial Mechanical Check and Setup</i> .....	49
<i>Polymer Energy Recovery Wheel</i> .....	50
<i>Energy Recovery Wheel General Cleaning</i> .....	57
Gas and Electric Heating.....	61
Gas Heating.....	62
<i>Unit Location and Clearances</i> .....	62
<i>Condensate Drain Piping</i> .....	62
<i>Condensate Neutralization</i> .....	63
<i>General Venting</i> .....	64
<i>Open Combustion Venting</i> .....	65
<i>Separated Combustion Venting</i> .....	66
<i>Gas Supply, Piping and Connections</i> .....	67
<i>Piping Supports</i> .....	68
<i>Leak Testing</i> .....	69
<i>Gas Heater Startup</i> .....	70
<i>Gas Heater Operation</i> .....	72
<i>Gas Heater Maintenance</i> .....	76
Phase and Brownout Protection Module.....	77
Filter Replacement .....	80
Replacement Parts .....	80
UV Lights .....	80
AAON .....	80
Decommissioning .....	81
Filter Information.....	84
Refrigerant Piping Diagrams .....	88
H3 Series Startup Form.....	89
Maintenance Log .....	94
Maintenance Log (E-Coated Coil).....	95
Literature Change History.....	96

G117890 · Rev. A · 240828  
(J000051)

## Index of Tables and Figures

### Tables:

Table 1 - H3 Series Clearances (Metric).....	21
Table 2 - H3 Series Clearances (Imperial).....	21
Table 3 – Coil Removal Clearances.....	22
Table 4 - Nameplate Voltage Markings & Tolerances .....	28
Table 5 - Control Wiring.....	31
Table 6 - 35 KAIC Fuse Sizing.....	31
Table 7– 65 KAIC Fuse Sizing.....	31
Table 8 - Drain Trap Dimensions (Metric).....	33
Table 9 – Drain Trap Dimensions (Imperial) .....	33
Table 10 - Steam Distributing Coil Sweat Connection Sizes .....	39
Table 11 - Hot Water Coil Sweat Connection Sizes.....	39
Table 12 - Chilled Water Coil Sweat Connection Sizes.....	40
Table 13 – Minimum and Maximum Coil Pressures and Temperatures .....	40
Table 14 - Acceptable Refrigeration Circuit Values.....	44
Table 15 - Acceptable Microchannel Air-Cooled Condenser Coil Liquid Sub-Cooling Values (Metric).....	44
Table 16 - Acceptable Microchannel Air-Cooled Condenser Coil Liquid Sub-Cooling Values (Imperial) .....	45
Table 17 - R-410A Refrigerant Temperature-Pressure Chart (Metric) .....	47
Table 18 - R-410A Refrigerant Temperature-Pressure Chart (Imperial).....	48
Table 19 – Energy Recovery Wheel Cleaning Frequency.....	57
Table 20 - Electric Heating Capacities .....	61
Table 21 - Open Combustion Venting.....	65
Table 22 - Separated Combustion Venting.....	66
Table 23 - Gas Inlet Pressure .....	68
Table 24 – Gas Piping Supports (Metric) .....	68
Table 25 - Gas Piping Supports (Imperial).....	68
Table 26 - Gas Heat Ignition Times.....	72
Table 27 - Gas Heater LED Diagnostic .....	75
Table 28 - Gas Heater Troubleshooting Guide .....	75
Table 29 - H3 Series A Cabinet Unit Filters.....	84
Table 30 - H3 Series B Cabinet Unit Filters.....	84
Table 31 - H3 Series C Cabinet Unit Filters.....	85
Table 32 - H3 Series D Cabinet Unit Filters.....	85
Table 33 - H3 Series E Cabinet Unit Filters .....	86
Table 34 - H3 Series A Cabinet Final Filters.....	86
Table 35 - H3 Series B Cabinet Final Filters .....	86
Table 36 - H3 Series C Cabinet Final Filters.....	87
Table 37 - H3 Series D Cabinet Final Filters.....	87
Table 38 - H3 Series E Cabinet Final Filters .....	88
Table 39 - H3 Series Energy Recovery OA Filters (Feature 13 ≠ 0).....	88
Table 40 - H3 Series Energy Recovery RA Filters (Feature 13 ≠ 0).....	88

**Figures:**

Figure 1 - Lockable Handle .....	20
Figure 2 - High Efficiency Gas Heater .....	20
Figure 3 -Minimum Clearance Required for Access to Unit (H3 Series plan view).....	22
Figure 4 - H3 internal control panel with top access panel removed.....	22
Figure 5 - H3 Series Platform Suspension Installation.....	22
Figure 5 - H3 Series Platform Suspension Installation.....	23
Figure 6 - H3 Series Parallel Beam Suspension Installation .....	23
Figure 7 - H3 Series Unit Orientation.....	24
Figure 8 - H3 Schematic with (1) Mixing Box, (2) Air Handler, and (3) Final Filter.....	25
Figure 9 - Low & High Voltage Quick Connect.....	25
Figure 10 - Apply Gasket.....	26
Figure 11 - Connect Sections.....	26
Figure 12 - Bar Clamp .....	26
Figure 13 - Flange Overlap .....	27
Figure 14 - Self-Tapping Screw.....	27
Figure 15 - Back View External Control Box .....	27
Figure 16 - External control box electrical connections .....	28
Figure 17 - H3 internal control panel electrical connections .....	29
Figure 18 - Drain Trap .....	32
Figure 19 - Typical wiring diagram with EC motor .....	34
Figure 20 - Shows the jumper that is to be removed (jumped between S1 and S2). .....	34
Figure 21 - Potentiometer .....	34
Figure 22 - Steam Distributing Piping.....	39
Figure 23 - Hot & Chilled Water Piping.....	39
Figure 24 - TXV Bulb Position.....	42
Figure 25 - Hot Gas Purge Circuit .....	42
Figure 26 - Energy Recovery Wheel .....	49
Figure 27 - Lifting Hole Locations .....	49
Figure 28 - Polymer Energy Recovery Wheel.....	50
Figure 29 - Wheel Segment Removal Pattern.....	54
Figure 30 - H3 A or B Cabinet Energy Recovery Wheel .....	59
Figure 31 - H3 A or B Cabinet Outside Air Filter Access.....	59
Figure 32 - H3 C Cabinet Energy Recovery Wheel .....	60
Figure 33 - H3 C Cabinet Outside Air Filter Access .....	60
Figure 34 - H3 D or E Cabinet Energy Recovery Wheel .....	60
Figure 35 - Waterless Valve .....	62
Figure 36 - Condensate Neutralizer Kit .....	63
Figure 37 - Neutralizer Kit Assembly (field provided & installed).....	63
Figure 38 - Open Combustion Venting.....	65
Figure 39 - Open Combustion Venting.....	66
Figure 40 - Separated Combustion Venting.....	67
Figure 41 - Sediment Trap for Gas Heat.....	68
Figure 42 - Gas Control Switch .....	70
Figure 43 - Natural Gas Flame.....	71
Figure 44 - Propane Gas Flame .....	71

Figure 45 - Flame Sensor Current Check .....	73
Figure 46 - Ignition Control Module .....	73
Figure 47 - Air Pressure Switch for two-speed draft inducer .....	73
Figure 48 - Rollout Switch.....	73
Figure 49 - High Limit Switch on Fan Housing .....	74
Figure 50 - Condensate Drain Overflow Switch.....	74

## Safety

Attention must be paid to the following statements:

**NOTE** - Notes are intended to clarify the unit installation, operation and maintenance.

**⚠ CAUTION** - Caution statements are given to prevent actions that may result in equipment damage, property damage, or personal injury.

**⚠ WARNING** - Warning statements are given to prevent actions that could result in equipment damage, property damage, personal injury or death.

**⚠ DANGER** - Danger statements are given to prevent actions that will result in equipment damage, property damage, severe personal injury or death.

### **⚠ WARNING**

#### **ELECTRIC SHOCK, FIRE OR EXPLOSION HAZARD**

Failure to follow safety warnings exactly could result in dangerous operation, serious injury, death or property damage.

Improper servicing could result in dangerous operation, serious injury, death or property damage.

Installation and service must be performed by a qualified technician, service agency or the gas supplier.

- Before servicing, disconnect all electrical power to the unit. More than one disconnect may be provided.
- When servicing controls, label all wires prior to disconnecting. Reconnect wires correctly.
- Verify proper operation after servicing. Secure all doors with key-lock or nut and bolt.

### **⚠ WARNING**

Electric shock hazard. Before servicing, disconnect all electrical power to the unit, including remote disconnects, to avoid shock hazard or injury from rotating parts. Follow proper Lockout-Tagout procedures.

### **⚠ WARNING**

#### **FIRE, EXPLOSION OR CARBON MONOXIDE POISONING HAZARD**

Failure to replace proper controls could result in fire, explosion or carbon monoxide poisoning. Failure to follow safety warnings exactly could result in serious injury, death or property damage. Do not store or use gasoline or other flammable vapors and liquids in the vicinity of this appliance.

**! CAUTION**

Unit power supply wire must be only copper or aluminum.

**! WARNING**

During installation, testing, servicing and troubleshooting of the equipment it may be necessary to work with live electrical components. Only a qualified licensed electrician or individual properly trained in handling live electrical components shall perform these tasks.

Standard NFPA-70E, an OSHA regulation requiring an Arc Flash Boundary to be field established and marked for identification of where appropriate Personal Protective Equipment (PPE) be worn, must be followed.

**! WARNING**

**ROTATING COMPONENTS**

Unit contains fans with moving parts that can cause serious injury. Do not open door containing fans until the power to the unit has been disconnected and fan wheel has stopped rotating.

**! CAUTION**

Rotation must be checked on all MOTORS of 3 phase units at startup by a qualified service technician. Fan motor rotation must be checked for proper operation. Alterations must only be made at the unit power connection.

**! WARNING**

**GROUNDING REQUIRED**

All field installed wiring must be completed by qualified personnel. Field installed wiring must comply with NEC/CEC, local and state electrical code requirements. Failure to follow code requirements could result in serious injury or death. Provide proper unit ground in accordance with these code requirements.

**! WARNING**

**UNIT HANDLING**

To prevent injury or death lifting equipment capacity shall exceed unit weight by an adequate safety factor. Always test-lift unit not more than 61 centimeters (24 inches) high to verify proper center of gravity lift point to avoid unit damage, injury or death.

**! CAUTION**

Failure to properly drain and vent coils when not in use during freezing temperature may result in coil and equipment damage.

**! WARNING**

Only auxiliary devices approved by manufacturer or declared suitable with the refrigerant may be installed in ductwork.



**! WARNING**

Do not use oxygen, acetylene or air in place of refrigerant and dry nitrogen for leak testing. A violent explosion may result causing injury or death.

**! WARNING**

**WATER PRESSURE**

Prior to connection of condensing water supply, verify water pressure is less than maximum pressure shown on unit nameplate. To prevent injury or death due to instantaneous release of high pressure water, relief valves must be field supplied on system water piping.

**! WARNING**

Always use a pressure regulator, valves and gauges to control incoming pressures when pressure testing a system. Excessive pressure may cause line ruptures, equipment damage or an explosion which may result in injury or death.

**! CAUTION**

To prevent damage to the unit, do not use acidic chemical coil cleaners. Do not use alkaline chemical coil cleaners with a pH value greater than 8.5, after mixing, without first using an aluminum corrosion inhibitor in the cleaning solution.

**! WARNING**

Some chemical coil cleaning compounds are caustic or toxic. Use these substances only in accordance with the manufacturer's usage instructions. Failure to follow instructions may result in equipment damage, injury or death.

**! CAUTION**

Do not clean DX refrigerant coils with hot water or steam. The use of hot water or steam on refrigerant coils will cause high pressure inside the coil tubing and damage to the coil.

**! CAUTION**

Door compartments containing hazardous voltage or rotating parts are equipped with door latches to allow locks. Door latches are shipped with nut and bolts requiring tooled access. If you do not replace the shipping hardware with a pad lock always re-install the nut & bolt after closing the door.

**! WARNING**

Do not work in a closed area where refrigerant or nitrogen gases may be leaking. A sufficient quantity of vapors may be present and cause injury or death.

**! WARNING**

Never attempt to open an access door or remove a panel while the unit is running. Pressure in the unit can cause excessive force against the panel.

**! WARNING**

Do not weld or cut foam panel with plasma cutters or a cutting torch – When burnt the foam produces dangerous fumes.

**! WARNING**

Ensure that sufficient dampers will be open to provide air path before fan is allowed to run.

**! CAUTION**

PVC (Polyvinyl Chloride) and CPVC (Chlorinated Polyvinyl Chloride) are vulnerable to attack by certain chemicals. Polyolester (POE) oils used with R-410A and other refrigerants, even in trace amounts, in a PVC or CPVC piping system will result in stress cracking of the piping and fittings and complete piping system failure.

**! WARNING**

Do not use torch or other potential ignition source to detect refrigerant leaks. Use only electronic detector suitable for the refrigerant, or bubble method with chlorine free detergent.

**! WARNING**

This appliance is not intended for use by persons with reduced physical, sensory or mental capabilities, or lack of experience and knowledge, unless they have been given supervision or instruction concerning use of the appliance by a person responsible for their safety. Children must be supervised to ensure they do not play with this appliance.

**! CAUTION**

In order to avoid a hazard due to inadvertent resetting of the THERMAL CUT-OUT, this appliance must not be supplied through an external switching device, such as a timer, or connected to a circuit that is regularly switched on and off by the utility.

**! WARNING**

Ensure that there are no live electrical components or wiring exposed when adjusting charge, recovering charge, or purging the system. Ensure that earthing continuity is unbroken.

**! WARNING**

Do not use means to accelerate the defrosting process or to clean, other than those recommended in this manual.

**! WARNING**

Units with VFD driven motors/compressors have adjustable overload settings. These are set by the AAON factory for the protection of these motors/compressors and must not be adjusted over this factory setpoint or bypassed.

1. Startup and service must be performed by a Factory Trained Service Technician.
2. The unit is for indoor use only. See General Information section for more unit information.
3. The supply and return air ducts must be derived from the same space. It is recommended ducts be provided with access panels to allow inspection for duct tightness. When a down flow duct is used with electric heat, the exhaust duct must be an L shaped duct.
4. These units must not be used for heating or cooling at any time during any phase of construction. Very low return air temperatures, harmful vapors, and misplacement of the filters will damage the unit and its efficiency
5. Every unit has a unique equipment nameplate with electrical, operational, and unit clearance specifications. Always refer to the unit nameplate for specific ratings unique to the model you have purchased.
6. Clean duct and components upon completion of the construction setup.
7. When pairing with a condensing unit, ensure the refrigerant pressures for the paired system do not exceed the

maximum allowable pressures listed on the unit nameplate.

8. Ensure that the unit is paired only with a condensing unit compatible with refrigerant marked on the nameplate.
9. "The H3 is a PARTIAL UNIT AIR CONDITIONER, complying with PARTIAL UNIT requirements of UL 60335-2-40, and must only be connected to other units that have been confirmed as complying to corresponding PARTIAL UNIT requirements of UL 60335-2-40/ CSA C22.2 No. 60335-2-40, or UL 1995/ CSA C22.2 No 236.
10. READ THE ENTIRE INSTALLATION, OPERATION AND MAINTENANCE MANUAL. OTHER IMPORTANT SAFETY PRECAUTIONS ARE PROVIDED THROUGHOUT THIS MANUAL.
11. Keep this manual and all literature safeguarded near or on the unit.

# H3 Series Feature String Nomenclature

Model Options														:	Unit Feature Options																			
GEN	SIZE	ORIENT	MJREV	VLT	CORR	A1	A2	A3	A4	B1	B2	B3	1A	1B	1C	1D	2	3	4	5A	5B	5C	6A	6B	6C	7	8	9	10	11	12	13	14A	14B
<b>H3 - A R B - 3 - 0 - 1 6 1 D - 4 1 F</b>															:	<b>A A B C - H G A - 0 0 0 - 0 A 0 - D 0 A 0 0 C A 0 0</b>																		
																<b>B A P 0 B 0 0 0 0</b>																		
																<b>15 16 17 18 19 20 21 22 23</b>																		

**BASE MODEL**

**SERIES AND GENERATION**

H3 = Horizontal - Back Intake, Front Discharge

**UNIT SIZE**

- A = Up to 1,200 cfm
- B = Up to 2,000 cfm
- C = Up to 4,000 cfm
- D = Up to 6,000 cfm
- E = Up to 10,000 cfm

**UNIT ORIENTATION**

- R = Right Hand Connections
- L = Left Hand Connections

**REVISION**

- B = Second Revision

**VOLTAGE**

- 1 = 230V/1Φ/60Hz
- 2 = 230V/3Φ/60Hz
- 3 = 460V/3Φ/60Hz
- 4 = 575V/3Φ/60Hz
- 8 = 208V/3Φ/60Hz
- 9 = 208V/1Φ/60Hz

**CORROSION PROTECTION**

- 0 = Standard
- A = Interior Corrosion Protection

**Model Option A: COOLING**

**A1: COOLING TYPE**

- 0 = No Cooling
- 1 = R-410A DX Cooling
- 2 = Chilled Water Cooling

**A2: COOLING ROWS**

- 0 = No Cooling
- 4 = 4 Row Coil
- 6 = 6 Row Coil
- 8 = 8 Row Coil

**A3: COOLING STAGES**

- 0 = No Cooling
- 1 = Single Circuit
- 2 = Two Circuits - Interlaced Coil
- D = Double Serpentine
- F = Single Serpentine
- H = Half Serpentine
- Q = Quarter Serpentine

**A4: COOLING FPI**

- 0 = No Cooling
- A = 10 fpi
- B = 8 fpi
- C = 12 fpi
- D = 14 fpi

## H3 Series Feature String Nomenclature

	Model Options	:	Unit Feature Options
GEN	SIZE	ORIENT	MJREV
	VLT	CORR	
	A1	A2	A3
	A4	B1	B2
		B3	1A
			1B
			1C
			1D
			2
			3
			4
			5A
			5B
			5C
			6A
			6B
			6C
			7
			8
			9
			10
			11
			12
			13
			14A
			14B
H3	- A R B - 3 - 0 - 1 6 1 D - 4 1 F	:	A A B C - HGA - 0 0 0 - 0 A 0 - D 0 A 0 0 CA 0 0 B A P 0 B 0 0 0 0 15 16 17 18 19 20 21 22 23

### **Model Option B: HEATING**

#### **B1: HEATING TYPE**

0 = No Heating  
 1 = Hot Water  
 6 = Hot Water (Reheat position)  
 4 = Steam Distributing  
 7 = Electric Heating (UL 60335 Compliant)  
 A = Open Combustion Natural Gas Heat  
 B = Separated Combustion Natural Gas Heat  
 C = Open Combustion LP Gas Heat  
 D = Separated Combustion LP Gas Heat

#### **B2: HEATING DESIGNATION**

0 = No Heating  
 1 = 1 Row Coil  
 2 = 2 Row Coil  
 A = 7 kW (5.3 kW @ 208V)  
 B = 14 kW (10.5 kW @ 208V)  
 C = 21 kW (15.8 kW @ 208V)  
 D = 28 kW (21.0 kW @ 208V)  
 E = 35 kW (26.3 kW @ 208V)  
 F = 42 kW (31.5 kW @ 208V)  
 G = 49 kW (37.0 kW @ 208V)  
 OR 90 MBH input  
 H = 56 kW (42.0 kW @ 208V)  
 J = 63 kW (47.3 kW @ 208V)  
 K = 70 kW (52.5 kW @ 208V)  
 OR 135 MBH input  
 L = 77 kW (57.8 kW @ 208V)  
 M = 84 kW (63.0 kW @ 208V)  
 OR 180 MBH input  
 N = 225 MBH input

#### **B3: HEATING STAGES**

0 = No Heating  
 1 = 1 Stage  
 2 = 2 Stage  
 3 = 3 Stage  
 4 = 4 Stage  
 5 = 5 Stage  
 6 = 6 Stage  
 B = Modulating 5:1 (3:1 for LP) 93% Efficient  
 S = Modulating/SCR Electric  
 F = Single Serpentine 12 fpi  
 H = Half Serpentine 12 fpi  
 Q = Quarter Serpentine 12 fpi

#### **B3: HEATING STAGES**

K = Single Serpentine 8 fpi  
 L = Half Serpentine 8 fpi  
 M = Quarter Serpentine 8 fpi  
 N = Single Serpentine 10 fpi  
 P = Half Serpentine 10 fpi  
 R = Quarter Serpentine 10 fpi

### **Feature 1: SUPPLY FAN**

#### **1A: SUPPLY AIR BLOWER CONFIGURATION**

A = 1 Blower + 1 High Efficiency EC Motor  
 B = 2 Blowers + 2 High Efficiency EC Motors  
 C = Option A + Piezo Ring  
 D = Option B + Piezo Rings  
 E = 1 Blower + 1 Perm Magnet AC Totally Enclosed Motor + 1 VFD  
 F = 2 Blowers + 2 Perm Magnet AC Totally Enclosed Motors + 2 VFDs

#### **1B: SUPPLY AIR BLOWER**

A = 310 mm Direct Drive BC Plenum Fan  
 B = 355 mm Direct Drive BC Plenum Fan  
 C = 450 mm Direct Drive BC Plenum Fan  
 D = 250 mm Direct Drive BC Plenum Fan  
 E = 13.5" Backward Curved Plenum, 50% Width  
 F = 13.5" Backward Curved Plenum, 70% Width  
 G = 15" Backward Curved Plenum, 70% Width  
 H = 22" Backward Curved Plenum, 70% Width  
 I = 15" Backward Curved Plenum  
 2 = 15" Backward Curved Plenum, 50% Width  
 3 = 18.5" Backward Curved Plenum  
 4 = 18.5" Backward Curved Plenum, 70% Width

#### **1C: SUPPLY AIR BLOWER MOTOR**

A = 500 W (0.67 hp)  
 B = 1.0 kW (1.34 hp)  
 C = 1.7 kW (2.28 hp)  
 D = 3.0 kW (4.02 hp)  
 E = 6.0 kW (8.00 hp)  
 F = 800 W (1.07 hp)  
 1 = 1 hp  
 2 = 2 hp  
 3 = 3 hp  
 4 = 5 hp

# H3 Series Feature String Nomenclature

	Model Options	:	Unit Feature Options
GEN	SIZE ORENT MJEV	VL CORR	A1 A2 A3 A4 B1 B2 B3 1A 1B 1C 1D 2 3 4 5A 5B 5C 6A 6B 6C 7 8 9 10 11 12 13 14A 14B
H3	- A R B - 3 - 0 - 1 6 1 D - 4 1 F	:	A A B C - H G A - 0 0 0 - 0 A 0 - D 0 A 0 0 C A 0 0 B A P 0 B 0 0 0 0 15 16 17 18 19 20 21 22 23

**1D: SUPPLY BLOWER CONTROL/CONTROL VENDORS**

- C = Field Installed Controls by Others
- D = Field Installed Controls by Others + Isolation Relays
- E = VCC-X AAON Orion Controls System

**Feature 2: REFRIGERATION OPTIONS**

- 0 = Standard
- A = Single Circuit External Hot Gas Bypass
- B = Dual Circuit External Hot Gas Bypass
- C = Heat Pump
- D = Option B + H
- F = Options C + H
- H = Modulating Hot Gas Reheat
- P = Option H (Circuit 1) + Option A (Circuit 2)
- R = Option C + A
- S = Option C + B
- T = Option C + H + A
- U = Option C + H + B

**Feature 3: SPECIAL CONTROLS**

- 0 = Standard
- A = Constant Volume Controller - CV Cool + CV Heat
- C = VAV Controller - VAV Cool + CV Heat
- E = Make Up Air Controller - CV Cool + CV Heat

**Feature 4: ADDITIONAL CONTROLS**

- 0 = Standard - None
- A = Phase and Brownout Protection
- B = Return and Supply Air Firestat
- C = Return Air Smoke Detector
- D = Options A + B
- E = Options A + C
- F = Options B + C
- G = Options A + B + C
- H = Remote Safety Shutdown Terminals
- J = Energy Recovery Wheel Rotation Detection
- K = Options A + H
- L = Options A + J
- M = Options B + H
- N = Options B + J
- P = Options C + H

**Feature 4: ADDITIONAL CONTROLS (continued)**

- Q = Options C + J
- R = Options H + J
- S = Options A + B + H
- T = Options A + B + J
- U = Options A + C + H
- V = Options A + C + J
- W = Options A + H + J
- Y = Options B + C + H

**Feature 4: ADDITIONAL CONTROLS Continued**

- Z = Options B + C + J
- 1 = Options B + H + J
- 2 = Options C + H + J
- 3 = Options A + B + C + H
- 4 = Options A + B + C + J
- 5 = Options A + B + H + J
- 6 = Options A + C + H + J
- 7 = Options B + C + H + J
- 8 = Options A + B + C + H + J

**Feature 5: MIXING BOX**

**5A: RETURN AIR DAMPER POSITION**

- 0 = No Mixing Box
- F = Front
- L = Left Hand (Front OA Damper Required)
- R = Right Hand (Front OA Damper Required)
- T = Top (Front OA Damper Required)

**5B: OUTSIDE AIR DAMPER POSITION**

- 0 = No Mixing Box
- F = Front
- L = Left Hand (Front RA Damper Required)
- R = Right Hand (Front RA Damper Required)
- T = Top (Front RA Damper Required)

**5C: MIXING BOX DAMPER CONTROL**

- 0 = No Mixing Box
- A = 2 Position Actuators (24V)
- B = Fully Modulating Actuators (DDC)
- C = Fixed Position Dampers
- D = Fully Modulating Actuator - Enthalpy Limit
- E = Fully Modulating Actuator - Sensible Limit

# H3 Series Feature String Nomenclature

	Model Options	:	Unit Feature Options
GEN SIZE ORIENT MJREV VLT CORR A1 A2 A3 A4 B1 B2 B3 1A 1B 1C 1D 2 3 4 5A 5B 5C 6A 6B 6C 7 8 9 10 11 12 13 14A 14B		:	A A B C - H G A - 0 0 0 - <b>0A0</b> - <b>D0A00</b> C A 0 0  B A P 0 B 0 0 0 0  15 16 17 18 19 20 21 22 23
H3	- A R B - 3 - 0 - 1 6 1 D - 4 1 F		: A A B C - HGA - 000 - 0A0 - D0A00 CA00 BAP0B0000

## **Feature 6: FILTER BOX**

### **6A: PRE FILTER BOX**

0 = Standard - None

### **6B: UNIT FILTER**

0 = No Unit Filters

A = 2" Pleated - MERV 8

B = 4" Pleated - MERV 8

C = 4" Pleated - MERV 11

D = 4" Pleated - MERV 13

E = 4" Pleated - MERV 14

F = 2" Pleated - MERV 8 + 4" Pleated - MERV 8

G = 2" Pleated - MERV 8 + 4" Pleated - MERV 11

H = 2" Pleated - MERV 8 + 4" Pleated - MERV 13

J = 2" Pleated - MERV 8 + 4" Pleated - MERV 14

### **6C: FINAL FILTER BOX**

0 = Standard - None

A = 2" Pleated - 30% Eff.

B = 12" Cartridge - MERV 11

C = 12" Cartridge - MERV 13

D = 12" Cartridge - MERV 14

E = 2" Pleated - MERV 8 + 12" Cartridge - MERV11

F = 2" Pleated - MERV 8 + 12" Cartridge - MERV13

G = 2" Pleated - MERV 8 + 12" Cartridge - MERV14

H = 4" Pleated - 30% Eff.

## **Feature 7: FILTER OPTIONS**

0 = No Filter Options

A = Magnehelic Gauge

B = Clogged Filter Switch

C = Options A + B

D = Magnehelic Gauge - Unit Filter + ERV Filter

F = Clogged Filter Switch - Unit Filter + ERV Filter

G = Options D + F

## **Feature 8: COIL COATING**

0 = No Coil Coating

A = E-coated Cooling and Heating Coils

B = Copper Finned Coils + Stainless Steel Coil  
Casing

D = Stainless Steel Coil Casing

E = Option A + D

## **Feature 9: EXPANSION VALVE**

0 = No Expansion Valve

A = Thermal Expansion Valves

## **Feature 10: EXPANSION VALVE CONTROLS**

0 = No Expansion Valve

A = Standard Control

## **Feature 11: EXTERNAL PAINT**

0 = Standard - No Paint

A = AAON Gray Paint

B = Special Paint

## H3 Series Feature String Nomenclature

Model Options														:	Unit Feature Options																																															
GEN	SIZE	ORIENT	MIREV	VLT	CORR	A1	A2	A3	A4	B1	B2	B3	1A	1B	1C	1D	2	3	4	5A	5B	5C	6A	6B	6C	7	8	9	10	11	12	13	14A	14B																												
H3	-	A	R	B	-	3	-	0	-	1	6	1	D	-	4	1	F	:	A	A	B	C	-	H	G	A	-	0	0	0	-	0	A	0	-	D	0	A	0	0	<b>CA</b>	<b>00</b>																				
																											<b>B</b>	<b>A</b>	<b>P</b>	<b>0</b>	<b>B</b>	<b>0</b>	<b>0</b>	<b>0</b>	<b>0</b>																											
																											<b>15</b>	<b>16</b>	<b>17</b>	<b>18</b>	<b>19</b>	<b>20</b>	<b>21</b>	<b>22</b>	<b>23</b>																											

### Feature 12: TONNAGE

- 0 = Standard - None
- A = 2 ton Capacity
- B = 3 ton Capacity
- C = 4 ton Capacity
- D = 5 ton Capacity
- E = 6 ton Capacity
- F = 7 ton Capacity
- G = 8 ton Capacity
- U = 9 ton Capacity
- H = 10 ton Capacity
- V = 11 ton Capacity
- W = 13 ton Capacity
- J = 14 ton Capacity
- Y = 15 ton Capacity
- Z = 16 ton Capacity
- K = 17 ton Capacity
- 1 = 18 ton Capacity
- 2 = 20 ton Capacity
- L = 22 ton Capacity
- M = 25 ton Capacity
- 3 = 26 ton Capacity
- N = 30 ton Capacity
- P = 31 ton Capacity
- Q = 34 ton Capacity
- R = 40-45 ton Capacity
- S = 50-55 ton Capacity
- 4 = 60 ton Capacity
- T = 63 ton Capacity
- 5 = 70 ton Capacity

### Feature 13: ENERGY RECOVERY

#### TYPE

- 0 = No Energy Recovery Wheel
- A = Energy Recovery Wheel - Total + High CFM, Polymer
- C = Energy Recovery Wheel - Total + High CFM, 1% Purge, Polymer
- E = Energy Recovery Wheel - Sensible + High CFM, Polymer
- G = Energy Recovery Wheel - Sensible + High CFM, 1% Purge, Polymer

### Feature 14: POWER

#### 14A: POWER OPTIONS

- 0 = Standard Power Block

#### 14B: ELECTRICAL RATING

- 0 = Standard - 5 kAIC
- J = 10 kAIC

### Feature 15: CONTROL PANEL

- 0 = Internal Control Panel (Top or Bottom Access Required)

- A = Small Control Panel - 16" x 16"
- B = Medium Control Panel - 25" x 22"
- C = Large Control Panel - 48" x 22"

### Feature 16: SHIPPING SPLITS

- 0 = No Shipping Splits
- A = 1 Shipping Split (2 pallets)
- B = 2 Shipping Splits (3 pallets)
- C = 3 Shipping Splits (4 pallets)
- D = 4 Shipping Splits (5 pallets)
- E = 5 Shipping Splits (6 pallets)
- H = Special Shipping Split (SPA Required)

### Feature 17: ENERGY RECOVERY

#### CABINET

- 0 = No Energy Recovery Wheel
- B = Side RA + Back EA + Back OA Connections
- P = OA + Economizer Dampers - Side RA + Back EA + Back OA Connections

### Feature 18: PREHEAT

- 0 = Standard - None





## General Information

AAON® H3 Series indoor air handling units have been designed for indoor installation only. Units are assembled, wired, charged with dry nitrogen and run-tested at the factory. H3 Series units are not intended for residential use. Startup and service must be performed by a Factory Trained Service Technician. H3 Series units are intended for installation up to 3500 meters (11,500 ft).

### WARNING

Improper installation, adjustment, alteration, service or maintenance can cause property damage, personal injury or loss of life. Startup and service must be performed by a Factory Trained Service Technician. A copy of this IOM must be kept with the unit.

### CAUTION

These units must not be used for heating or cooling at any time during any phase of construction. Very low return air temperatures, harmful vapors, and misplacement of the filters will damage the unit and its efficiency.

### CAUTION

This equipment is protected by a standard limited warranty under the condition that initial installation, service, startup and maintenance is performed according to the instructions set forth in this manual. This manual must be read in its entirety prior to installation and before performing any service or maintenance work.

Equipment described in this manual is available with many optional accessories. If you have questions after reading this manual in its entirety, consult other factory documentation or contact your AAON Sales Representative to obtain further information before manipulating this equipment or its optional accessories

#### Certification of Cooling Models

- a. Certified as a commercial central air conditioner with or without electrically operated compressors.
- b. Certified for indoor installation only.
- c. Certified with refrigerant R-410A coils or with chilled water cooling coils.

### Codes and Ordinances

H3 Series units have been tested and certified, by ETL, in accordance with UL Safety Standard 60335-2-40 4th Edition, ANSI Safety Standard Z21.47-2016.

H3 Series units are rated:

- IEC 60529 IPX0
- UL 60335-2-40 Class I Appliance

Size system in accordance with the American Society of Heating, Refrigeration and Air Conditioning Engineers Handbook.

Installation of H3 Series units must conform to the following codes:

- International Mechanical Code (IMC 2018 where revision not specified by State)
- Installation of Air Conditioning and Ventilating Systems Standard (NFPA 90A)
- National Electrical Code (NFPA 70)

Additional conditions for installation outside of these codes may be required for any region, state and/or city within the United States of America. It is the responsibility of the building system designer, qualified technician and person(s) responsible for the operation and maintenance of the AAON equipment to know and adhere to International and local code requirements in conjunction with the requirements of this document.

### CAUTION

The Clean Air Act of 1990 bans the intentional venting of refrigerant as of July 1, 1992. Approved methods of recovery, recycling, or reclaiming must be followed.

### WARNING

Coils and sheet metal surfaces present sharp edges and care must be taken when working with equipment.

### WARNING

Failure to observe the following instructions will result in premature failure of your system and possible voiding of the warranty.

### Receiving Unit

When received, check the unit for damage that might have occurred in transit. If damage is found it must be noted on the carrier's Freight Bill. A request for inspection by carrier's agent must be made in writing at once.

Check nameplate to ensure the correct model sizes and voltages have been received to match the job requirements.

If repairs must be made to damaged goods, notify the factory before any repair action is taken in order to protect the warranty. Certain equipment alteration, repair, and manipulation of equipment without the manufacturer's consent may void the product warranty. Contact the AAON Technical Support for assistance with handling damaged goods, repairs, and freight claims: (918) 382-6450.

**Note:** Upon receipt check shipment for items that ship loose such as remote sensors. Consult order and shipment documentation to identify potential loose-shipped items. Loose-shipped items may have been placed inside unit cabinet for security. Installers and

owners must secure all doors with locks or nuts and bolts to prevent unauthorized access.



Figure 1 - Lockable Handle

### Storage

This equipment is not suitable for outdoor use of storage. If installation will not occur immediately following delivery, store equipment in a dry protected area away from construction traffic and in the proper orientation as marked on the packaging with all internal packaging in place. Secure all loose-shipped items. Unit must be stored in accordance with ASHRAE 15 requirements for machine rooms

### Wiring Diagrams

Unit specific wiring diagrams are laminated and affixed inside the controls compartment door.

### Installation

AAON equipment has been designed for quick and easy installation. Startup and service must be performed by Factory Trained Service Technician. The H3 unit can either be shipped assembled or shipped in sections. See the Unit Assembly section of

this document for instructions on assembling the sections.

### Locating the Unit

Placement of the unit relative to ductwork, electrical and plumbing must be carefully considered. Return air plenum or duct can be mounted directly to the return air flanges. Use flexible gasket material to seal the duct to the unit.

Verify floor, foundation or suspension support can support the total unit weight, including accessory weights. Unit must be level in both horizontal axes to support the unit and reduce noise and vibration from the unit. If unit is to be installed in areas without sufficient ventilation, provide venting from all pressure relief outlets to outdoors in accordance with ASHRAE 15 requirements.

Separated combustion gas fired unit combustion air inlets and vent (flue) gas discharges are located in the unit roof. See Figure 2.

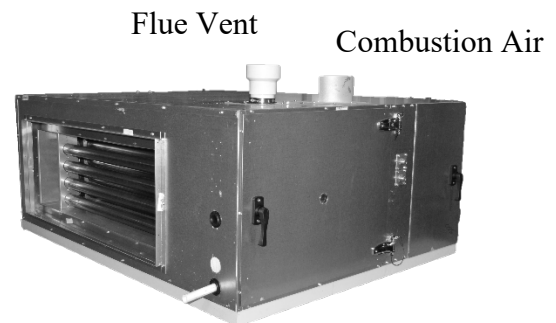


Figure 2 - High Efficiency Gas Heater

The open combustion gas fired unit has a louvered door instead of the combustion air inlet on the unit roof.

### WARNING

Flue discharge vents must be located at least 120 inches away from any opening through which combustion products could enter the building.

**! WARNING**

Distances from adjacent public walkways, adjacent buildings, operable windows and building openings, shall conform to local codes and/or the National Fuel Gas Code, ANSI Z223.1/NFPA 54, or the National Gas & Propane Code, CSA B149.1

For gas fired units, do not position flue opening to discharge into a fresh air intake of any other piece of equipment. Install the unit so that the flow of combustion intake air is not obstructed from reaching the furnace.

Flue gas is dangerously hot and contains containments. The user is responsible for determining if vent gases may degrade building materials.

The National Gas and Propane Installation Code, B149.1 specifies a 6 ft. horizontal vent terminal clearance to gas and electric meters and relief devices.

Local codes may supersede or further place restrictions on vent termination locations.

Allow adequate space for piping access and panel removal. **To ensure proper access for field service, maintain minimum clearances for field piping and other obstructions as indicated by Table 1 and Table 2.** Consult local building codes for additional service clearance requirements.

Condensate drain connection for the coils is located on the access side of the unit. See Table 3 for access dimensions.

**field service, maintain minimum clearances for field piping and other obstructions as indicated by Table 1 and Figure 3.** Consult local building codes for additional service clearance requirements.

Condensate drain connection for the coils is located on the access side of the unit. The high efficiency gas heater condensate drain connection is located on the front side of the unit. See Figure 2 and Figure 3.

For units with supplementary electric heat installed with free air discharge, the supply air discharge opening must be located a minimum of 1.83 meters (6 feet) above the finished floor.

Table 1 - H3 Series Clearances (Metric)

Unit Size	Access Side Clearance (dimension X on Figure 2) <sup>2</sup>	All Other Sides <sup>3</sup>	Top or Bottom <sup>4</sup>
H3-A	0.9 meters	15.3 cm	55.9 cm
H3-B			57.2 cm
H3-C			68.6 cm
H3-D	1.1 meters		68.6 cm
H3-E	1.5 meters		86.4 cm

Table 2 - H3 Series Clearances (Imperial)

Unit Size	Access Side Clearance (dimension X on Figure 2) <sup>2</sup>	All Other Sides <sup>3</sup>	Top or Bottom <sup>4</sup>
H3-A	3.0 feet	6 in.	22 in.
H3-B			22.5 in.
H3-C			27 in.
H3-D	3.8 feet		27 in.
H3-E	5.0 feet		34 in.

1. Values in table apply to both combustible and non-combustible surfaces.
2. Additional clearance may be required to allow for coil removal. See Table 3
3. May be installed flush depending upon local codes.
4. Top or bottom clearance is 15.2 centimeters (6 inches) if no internal control panel. For units with internal control panel, the clearance in the table is needed for either top or bottom, but not both. The clearance is for supply fan removal.

Table 3 – Coil Removal Clearances

Unit Size	Access Side	
H3-A	0.8 m	2.7 ft
H3-B	1.1 m	3.7 ft
H3-C	1.6 m	5.2 ft
H3-D	2.2 m	7.2 ft
H3-E	2.6 m	8.5 ft

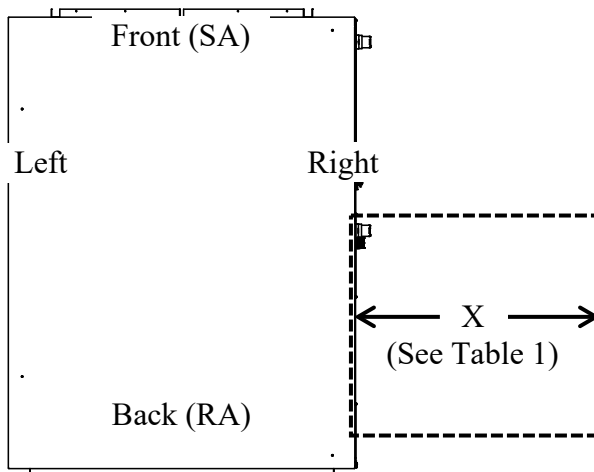


Figure 5 - H3 Series Platform Suspension Installation

Figure 3 -Minimum Clearance Required for Access to Unit (H3 Series plan view)

*Internal Control Panel*

H3 units with internal control panel have removable access panels on the top and bottom of the supply fan section. The supply flanges can be interchanged with the access panels if necessary as the openings have the same dimensions, except on size E.



Figure 4 - H3 internal control panel with top access panel removed.

*Floor Mounted Units*

Make sure the unit is level and mounted on a field supplied platform with a minimum height to allow for proper depth of the condensate line p-trap. Other installation provisions may be necessary according to job specifications.

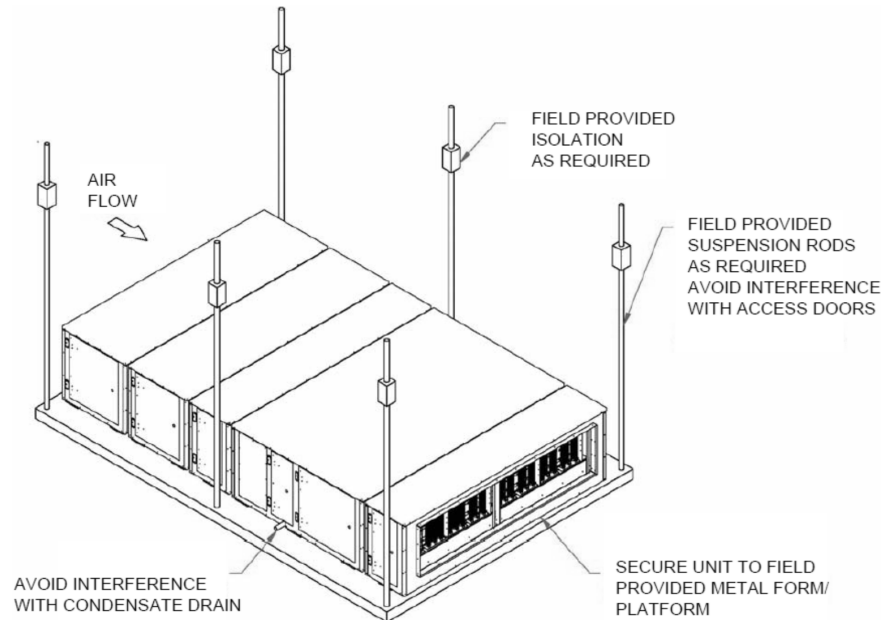


Figure 6 - H3 Series Platform Suspension Installation

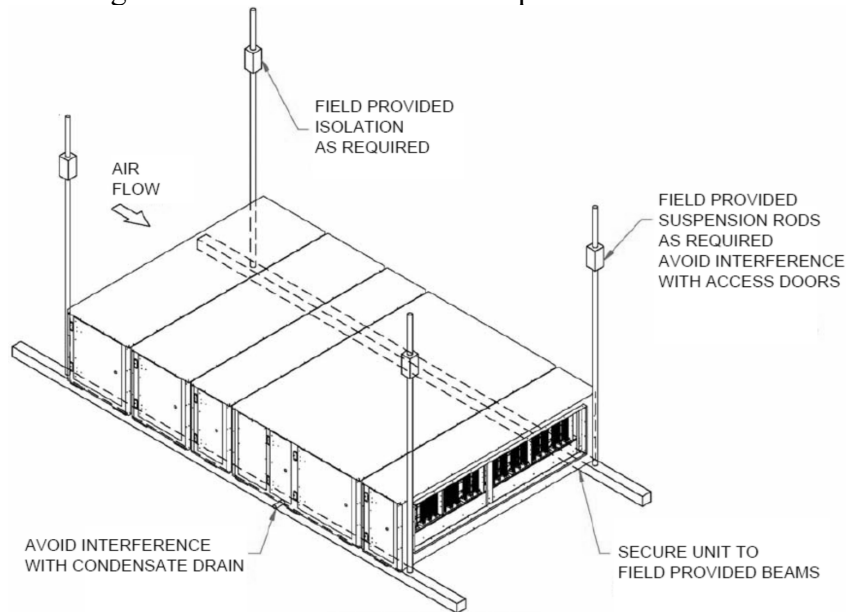


Figure 7 - H3 Series Parallel Beam Suspension Installation

### *Suspended Units*

H3 Series horizontal air handling units are equipped for suspended installations. Lift the unit into position by supporting the unit with the skid used for shipping. The air handling unit must be installed level and care must be taken to prevent damage to the cabinet.

Other installation provisions may be necessary according to job specifications. Figure 4 and Figure 5 show factory

recommended methods for suspended installations. It is the responsibility of the specifying engineer or installing contractor to ensure the installation is structurally safe and sound.

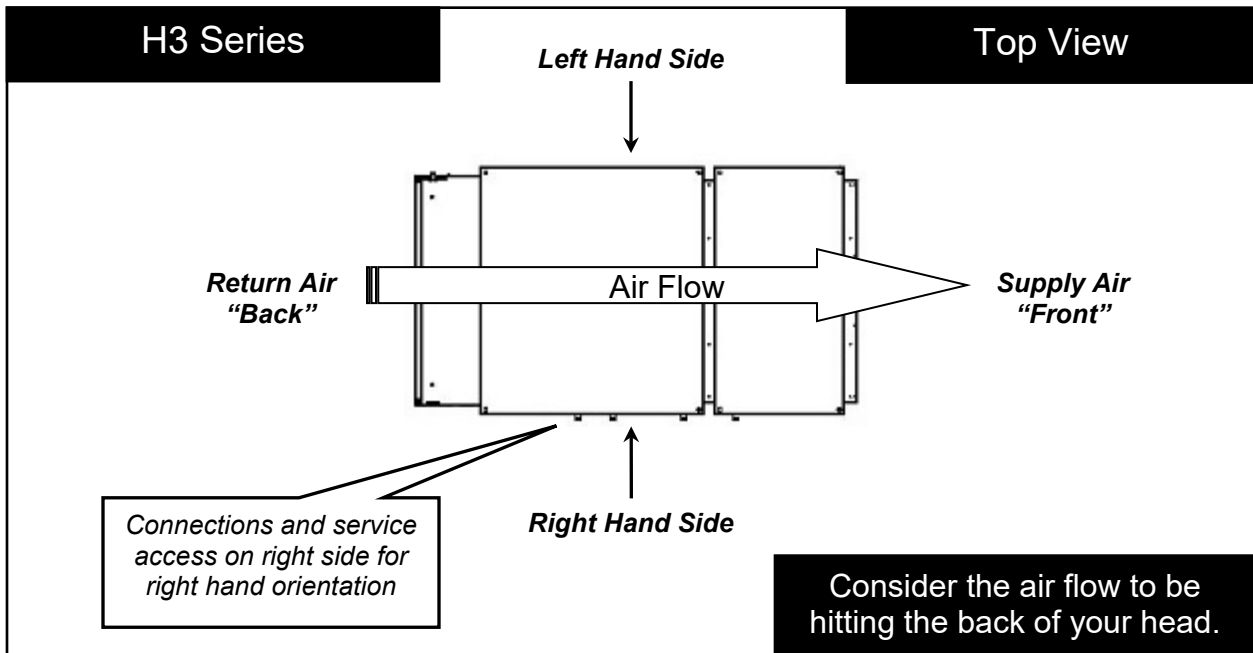


Figure 8 - H3 Series Unit Orientation

**Note:** Access doors may be on the “left” or “right” side as designated by the unit orientation on the configurator string. “Back” will always be the same side as the pre-filter and return air opening. “Front” will always be the side opposite the pre-filter and return air opening.



### Lifting and Handling the Unit

Before lifting unit, be sure that all shipping material has been removed from unit.

Care must be taken if using spreader bars, blocking or other lifting devices to prevent damage to the cabinet, coil or fans.

**! WARNING**

**UNIT HANDLING**

Incorrect lifting can cause damage to the unit, injury or death. Lifting equipment capacity must exceed unit weight by an adequate safety factor. Always test lift unit not more than 61 centimeters (24 inches) high to verify proper center of gravity lift point.

### Unit Assembly

Although H3 Series units are shipped factory assembled as standard, the unit may be ordered as shipping splits for certain applications such as for assembly in existing structures where modules must be manipulated separately. If the unit was ordered as shipping splits, then they must be assembled in the field.

Locate the schematic in the equipment's literature packet.

#### 1. Identify and Situate Splits

- a. H3 Units can have the following ship split sections:
  1. Mixing Box
  2. Air Handler
  3. Final Filter
  4. Electric Heat
  5. Energy Recovery

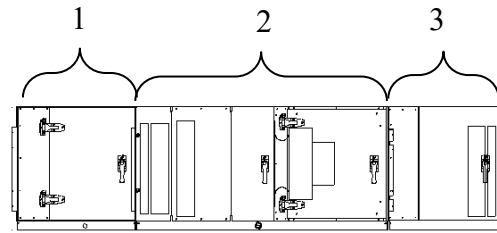


Figure 9 - H3 Schematic with (1) Mixing Box, (2) Air Handler, and (3) Final Filter

#### 2. Connect Power and Control Wiring between sections

H3 Series units are equipped with low and high voltage quick connects to connect wiring from one section to the next. It might be necessary to increase the hole size in the cabinet in order to get the quick connector through the opening. See the Electrical section for more information.



Figure 10 - Low & High Voltage Quick Connect

A color-coded wiring diagram is laminated and affixed to the inside of the control compartment access door.

H3 Series units are equipped with a single point power connection. Wiring from the unit to external controls and power sources must be provided in the field.

### 3. Connect Sections

Remove the access side panel from the mixing box by removing the screws. It is also helpful to remove the access side panel from the air handling unit module.



Apply 13 mm (1/2") thick, 16 mm (5/8") wide adhesive gasket around the edges of the box without the flanges.

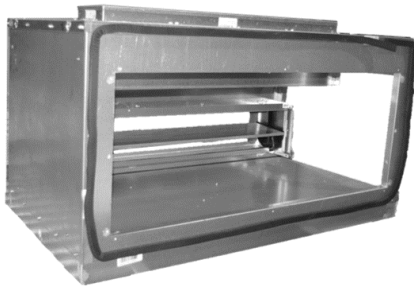


Figure 11 - Apply Gasket

Push the mixing box and air handling sections together so that the flange from the air handling section is inside of the mixing box.



Figure 12 - Connect Sections

Use clamps to pull the sections together on the inside of the unit.



Use bar clamps or other non-destructive winching device to pull the tops of the modules together tightly.



Figure 13 - Bar Clamp

At each of the pre-drilled holes in the flange, drill 8mm (5/16") hex head self-tapping screws to secure the two sections together. You may need a screwdriver extension to reach all of them.

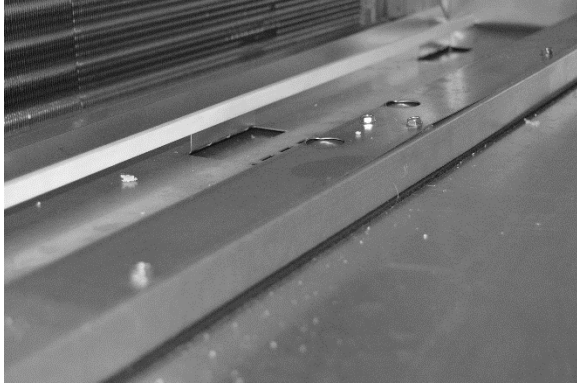


Figure 14 - Flange Overlap

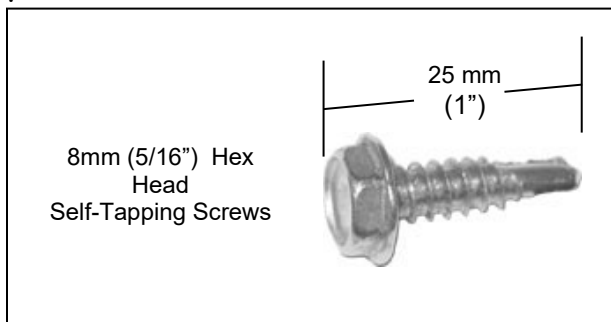


Figure 15 - Self-Tapping Screw

#### 4. Final Sealing

It is very important to keep air from infiltrating the unit cabinet. Seal all piping penetrations with Armaflex, Permagem or other suitable sealant. Also seal around drain connections, electrical connections and all other inlets where air may enter the cabinet. This is especially important when the unit is installed in an unconditioned area.

### **! CAUTION**

Proper sealing of the electrical and piping entries into the unit must be verified. Failure to seal the entries may result in damage to the unit and property.

### Control Box

Some H3 units include an external control box that must be mounted in the field. The control box is designed with two mounting holes on the back panel. Make sure the wall fasteners can hold the weight of the control box. See Figure 14

External control boxes provided with conduit exceeding 0.2 m (6ft) in length must have conduit supported in compliance with the National Electrical Code NFPA 70. FMC and LMFC conduit must be supported within 30.5 cm (12 in.) of both the unit and the external control box and at intervals no more than 1.4 m (4.5 ft) along the length.



Figure 16 - Back View External Control Box

## Electrical

For units not equipped with incoming power disconnect, means for all pole disconnection must be provided in the fixed wiring in accordance with local or national electrical codes. Verify the unit nameplate agrees with power supply. Connect power and control field wiring as shown on the unit specific wiring diagram provided laminated and attached to the door in the controls compartment.

Table 4 - Nameplate Voltage Markings & Tolerances

Hz	Nameplate Voltage	Nominal System Voltage	Operating Voltage Range <sup>1</sup>		Acceptable Performance Range <sup>2</sup>	
			Min	Max	Min	Max
60	115	120	104	127	108	126
	208/230	208/240	187	254	187	252
	208	208	187	228	187	228
	230	240	208	254	216	252
	265	277	240	293	249	291
	460	480	416	508	432	504
	575	600	520	635	540	630
50	230	230	198	254	208	254
	400	400	344	440	360	440

Notes:

1. Operating voltage is the min and max voltage for which the unit can function. Never operate outside of this min and max voltage.
2. The Acceptable Performance Range is the min and max voltage for which the unit performance is designed and rated to give acceptable performance.

Route power and control wiring, separately, through the utility entry in the unit. Do not run power and control signal wires in the same conduit.

Codes may require a disconnect switch be within sight of the unit.

It is recommended that the field installed overcurrent protection or disconnect switch not be installed on the unit.

**⚠ WARNING**

The foam insulation releases dangerous fumes when it is burnt. Do not cut a foam part with a cutting torch or plasma cutter. Do not weld to a foam filled part.

On units with external control box, electrical supply can enter through either side of the controls compartment.



Figure 17 - External control box electrical connections

All units require field supplied electrical overcurrent and short circuit protection. Device must not be sized larger than the Maximum Overcurrent Protection (MOP) shown on the unit nameplate.

On units with internal control panel, electrical supply can enter through the supply air side (front) of the H3 unit.

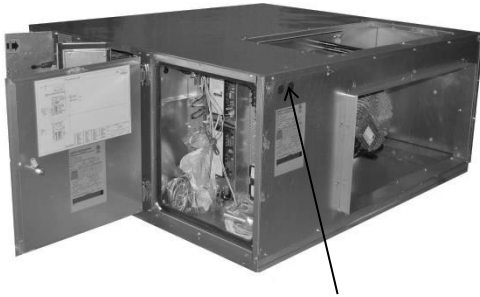


Figure 18 - H3 internal control panel electrical connections

A single point connection to a terminal block is provided. High voltage conductors must enter the control panel in a separate opening and separate conduit than low voltage conductors.

Field wired disconnecting means of power, external to the unit, must be incorporated in the fixed wiring in accordance with the wiring rules and provide full disconnection of all poles under overvoltage Category III conditions.

### **! WARNING**

Electric shock hazard. Before attempting to perform any installation, service, or maintenance, shut off all electrical power to the unit at the disconnect switches. Unit may have multiple power supplies. Failure to disconnect power could result in dangerous operation, serious injury, death, or property damage.

To pass wires through the wall or roof of the unit, cut a hole and pass the conduit through it. Use the following procedure to cut a round hole in a foam panel.

### *Cutting Electrical Openings*

1. Locate the placement of the hole. Be sure that the conduit will not interfere with the operation of any component or prevent access of any door or removable panel. Field cut openings must be a minimum of 15.24 centimeters (6 inches) away from all components and wiring to prevent damage due to drilling or cutting.
2. Drill a pilot hole all the way through the foam panel.
3. Using a hole saw, cut the hole through the metal on both sides of the foam part.
4. With a knife cut the foam out of the hole.
5. After the conduit is installed in the hole caulk the entire perimeter of the hole on both sides with an industrial grade silicone sealant or a duct seal compound.

### **! CAUTION**

Proper sealing of the electrical entries into the unit must be verified. Failure to seal the entries may result in damage to the unit and property.

If a larger cut-out is needed for additional duct connections not provided by the factory, or for any other reason, it is very important that the foam be completely sealed. Fabricate insulation covers from sheet metal to cover the foam at the cut. Seal the edges and corners that are not covered using silicone caulking or a duct seal compound.

If a reciprocating saw is used to make the cut-out, take care that the metal skins of the foam part do not separate from the foam, this would result in reduced structural integrity of the part.

Size supply conductors based on the unit Minimum Current Ampacity (MCA) rating.


Supply conductors must be rated a minimum of 75°C (167°F).

Protect the branch circuit in accordance with code requirements. The unit must be electrically grounded in accordance with local codes, or in the absence of local codes, the current National Electric Code, ANSI/NFPA 70 or the current Canadian Electrical Code CSA C22.1.

**Note:** Units are factory wired for 208V, 230V, 460V or 575V. In some units, the 208V and 230V options may also be provided in single or three phase configurations. The transformer configuration must be checked by a qualified technician prior to startup.

Wire power leads to the unit's terminal block or main disconnect. All wiring beyond this point has been completed by AAON and cannot be modified without effecting the unit's agency/safety certification.

Supply voltage must be within the min/max range shown on the unit nameplate. Available short circuit current must not exceed the short circuit current rating (SCCR) shown on the unit nameplate.

 <b>CAUTION</b>
Three phase voltage imbalance will cause motor overheating and premature failure.

Three phase voltage imbalance will cause motor overheating and premature failure. The maximum allowable imbalance is 2%.


Voltage imbalance is defined as 100 times the maximum deviation from the average voltage divided by the average voltage.

Example:

$$(221V+230V+227V)/3 = 226V, \text{ then } 100*(226V-221V)/226V = 2.2\%, \text{ which exceeds the allowable imbalance.}$$

Check voltage imbalance at the unit disconnect switch and at the compressor terminal. Contact your local power company for line voltage corrections.

A qualified technician must check for proper motor rotation and check blower motor amperage listed on the motor nameplate is not exceeded.

 <b>CAUTION</b>
Rotation must be checked on all MOTORS of three phase units. Supply fan motors must all be checked by a qualified service technician at startup and any wiring alteration must only be made at the unit power connection.

Wire control signals to the unit's low voltage terminal block located in the controls compartment.

If any factory installed wiring must be replaced, use a minimum 105°C (221°F) type AWM insulated conductors.

#### *Thermostat Control Wiring*

If a thermostat is used for unit control, locate the thermostat on an inside wall that is between 1.2 and 1.5 meters (4 - 5 feet) above the floor where it will not be subjected to drafts, sun exposure, or heat from electrical fixtures of appliances. Control wiring must deliver adequate voltage to components to assure proper operation. Control voltage returning from controller circuit must be a minimum of 21 VAC. To assure proper wiring use the following chart to determine the allowable wiring distances.

Table 5 - Control Wiring

Wire Size (Standard) Copper Conductors Only	Total Wire Distance Allowable	
20 AWG	60.96 m	200 ft
18 AWG	106.7 m	350 ft
16 AWG	152.4 m	500 ft
14 AWG	228.6 m	750 ft
12 AWG	381.0 m	1250 ft

*Total Wire Distance Allowable =  
(Quantity of Control Wires) x  
(Control Wire Distance)*


Take the total wire distance allowable and divide by the number of wires to be connected. This indicates the distance allowable for that size wire. The wiring to the unit must not exceed the total wire distance allowable. If the voltage at the connectors is less than 21 VAC, isolation relays must be installed. If under external control 21 VAC must be field verified.

All external devices must be powered via a separate external power supply.

Example:

A total of 8 wires must be pulled 75 ft (22.9 m) to a control the unit. What size wire must be used?

According to the Table 5, 16 AWG allows for 63ft (500 ft/8 wires) and 14 AWG allows for 94ft (750 ft/8 wires). Thus, 14 AWG must be used.

 <b>CAUTION</b>
<p>Ensure that wires are protected from damage and wear caused by normal operation of unit and environmental factors.</p>

### Fuses and Circuit Breakers

The interrupting rating of fuses and circuit breakers is to be determined based on the KAIC rating of the unit. Refer to the wiring diagram for fuse sizing.

Table 6 - 35 KAIC Fuse Sizing

35 KAIC Construction		
Component	Description	Interrupting Rating (kA)
Fuse	Class CC, 600V, 0.5A - 30A	200
Fuse	Class J, 600V, 35A - 600A	200
Disconnect	3P, 600V, 15A - 600A	35

Table 7- 65 KAIC Fuse Sizing

65 KAIC Construction		
Component	Description	Interrupting Rating (kA)
Fuse	Class CC, 600V, 0.5A - 30A	200
Fuse	Class J, 600V, 35A - 600A	200
Disconnect	3P, 600V, 15A - 600A	65

### Duct Connection

Attach duct to flanges provided on the unit. The installer is responsible for sealing ducts to the flanges to prevent water leaks.

See Figure 6 for return and supply air duct locations. Size the ductwork in accordance with the ASHRAE Handbook. Ductwork must be installed in accordance with NFPA Standard 90A.

When attaching duct to the unit, use a flexible/compressible material rated for duct connections. A 7.6 centimeter (3 inch) flexible connector for both return and supply duct connections is recommended.

### Condensate Drain Pans

Units require field installed drain p-traps and lines to be connected to the condensate drain pans of the unit.

For condensate drain lines, the line must be the same pipe size or larger than the drain connection, include a p-trap, and pitch downward toward drain. Use an air break with long runs of condensate lines. See Installation section of this manual for more information.

#### CAUTION

Do not operate unit without a p-trap. Failure to install a p-trap may result in overflow of condensate water.

### Condensate Drain Piping

A p-trap and drain line must be installed on the drain connection, with the p-trap not to exceed 15.25 cm (6") from the drain connection. The lines must be the same pipe size or larger than the drain connection, include a p-trap, and pitch downward toward drain. Use an air break with long runs of condensate lines.

#### CAUTION

Use an emergency drain pan for all applications where a risk of water damage to surrounding structure or furnishings. Refer to local codes.

Draw-through cooling coils will have a negative static pressure in the drain pan area. This will cause an un-trapped drain to back up due to air being pulled up through the condensate drain piping.

Condensate drain trapping and piping must conform to all applicable governing codes.

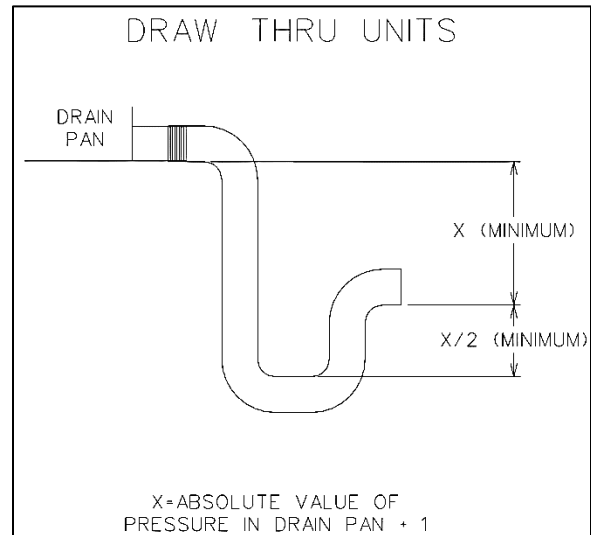


Figure 19 - Drain Trap

**Note:** The drain pan connection is a 24.4mm (1") MPT fitting.

The X dimension on the draw-through trap must be at least equal to the absolute value of the negative static pressure in the drain pan plus 2.54 centimeters (one inch). To calculate the static pressure at the drain pan add the pressure drops of all components upstream of the drain pan, including the cooling coil, and add the return duct static pressure. Include the dirt allowance pressure drop for the filters to account for the worst-case scenario.

The height from top of the bottom bend of the trap to the bottom of the leaving pipe must be at least equal to one half of the X dimension. This ensures that enough water is stored in the trap to prevent losing the drain seal during unit startup

**Note:** The absolute value of the fan inlet pressure will always be greater than or equal to the absolute value of the static pressure in the drain pan on draw-through units, so the fan inlet pressure is a safe value to use for the drain pan static pressure.



Table 8 - Drain Trap Dimensions (Metric)

Draw-Through		
Drain Pan Pressure	Trap Dimensions	
Negative Static	X	X/2
(mm of mercury)	(mm)	(mm)
-0.93	38.10	19.05
-1.87	50.80	25.40
-2.80	63.50	31.75
-3.74	76.20	38.10
-4.67	88.90	44.45
-5.60	101.60	50.80
-6.54	114.30	57.15
-7.47	127.00	63.50

Table 9 – Drain Trap Dimensions (Imperial)

Draw-Through		
Drain Pan Pressure	Trap Dimensions	
Negative Static	X	X/2
(inches of water)	(in.)	(in.)
-0.50	1.50	0.75
-1.00	2.00	1.00
-1.50	2.50	1.25
-2.00	3.00	1.50
-2.50	3.50	1.75
-3.00	4.00	2.00
-3.50	4.50	2.25
-4.00	5.00	2.50

## Startup

(See back of the manual for startup form)

### WARNING

Improper installation, adjustment, alteration, service or maintenance can cause property damage, personal injury or loss of life. Startup and service must be performed by a Factory Trained Service Technician. A copy of this IOM must be kept with the unit.

### WARNING

Electric shock hazard. Shut off all electrical power to the unit to avoid shock hazard or injury from rotating parts.

During startup, it is necessary to perform routine checks on the performance of the unit. This includes checking of the air flow, the air filters and refrigerant charge.

#### Filters

Do not operate the unit without filters in place. Operation of the equipment without filters in place can result in clogged coils. Units are shipped with the selected filters installed. If filters have been removed during installation, open the filter access door and re-install the correct filters with the airflow indicator arrows pointing in the direction of airflow.

Check filters after a few days of operation after the unit has been started up as dust and debris from construction may cause premature filter loading. Replace the filters if necessary.

#### Supply Fans

H3 Series units are equipped with direct drive backward curved plenum supply fan assemblies that deliver the air volume specified according to unit size and job requirements.

#### Fan Air Flow Adjustment

On some H3 Series units, a specific air volume is delivered by the fans with Electronically Commutated Motors (ECM). Field air flow adjustment may be required at startup.

## Electrically Commutated Motor Airflow Adjustment

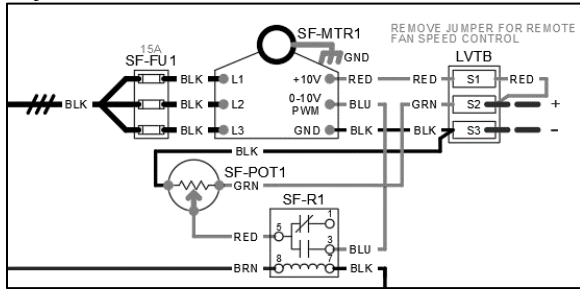


Figure 20 - Typical wiring diagram with EC motor

If the application is for the motor to run at a constant speed, the potentiometer can be utilized without any change. If the application is to vary the motor speed for changing conditions, remove the jumper indicated on the terminal strip (red wire).

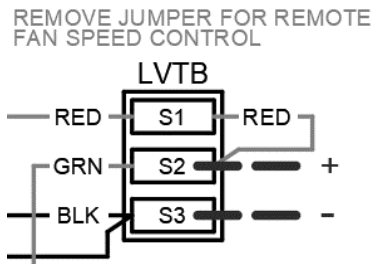


Figure 21 - Shows the jumper that is to be removed (jumped between S1 and S2).

Note, the potentiometer is still active in the electrical loop. Refer to Figure 18.



Figure 22 - Potentiometer

Set the potentiometer dial for the maximum fan speed for a particular application. Maximum fan speed is determined by the

ECat submittal. Typically, this max speed will be the rpm set at the factory.

The fan speed can be modulated using the 0-10 VDC input signal.

To check fan output from the factory, the potentiometer can be dialed to 100%. By sending a 5V signal\*, for instance, the rpm can be measured and this reading can be converted to cubic meters (cubic feet) of air moved by the fan.

It is advised that a medium range signal\* be utilized for this procedure. The highest signal sent by the controller can then be determined by adjustment.

## CAUTION

Before completing startup and leaving the unit a complete operating cycle must be observed to verify that all components are functioning properly.

## **Operation**

Unit operations must be controlled with thermostat or unit controller, never at the main power supply, except for emergency or complete shutdown of the unit.

### **Thermostat Operation**

#### Heating

Thermostat system switch - "Heat"

Thermostat fan switch - "Auto" or "On"

Thermostat temperature set to desired point.

#### Cooling

Thermostat system switch - "Cool"

Thermostat fan switch - "Auto" or "On"

Thermostat temperature set to desired point.

#### Air Circulation

Thermostat system switch - "Off"

Thermostat fan switch - "Auto" or "On"

No change of the thermostat temperature.

With these settings, the supply blower will run continuously but the supply air will not be heated, cooled, or dehumidified.

#### System Off

Thermostat system switch - "Off"

Thermostat fan switch - "Auto"

No change of the thermostat temperature.

With these settings the system is shut down, with the exception of control system power.

#### Night and Weekend Unoccupied Operation

To reduce the operating time of the unit when the space is unoccupied, such as nights and weekends, it is recommended that the temperature setting be raised about -15 °C (5°F) while unoccupied during the cooling season and lowered about -12.2°C (10°F) during the heating season.

### **Split System DX Cooling Operation and Control**

When a call for cooling (G and Y1, Y2, etc.) is made the supply blower motors and compressors will energize.

### **Chilled Water or Non-Compressorized DX Cooling Operation**

Valve controls for chilled water cooling coil and non-compressorized DX coil are by others.

### **Steam or Hot Water Preheating Operation**

Valve control for steam and hot water heating coils are by others. Heating is accomplished by passing steam or hot water through the steam or hot water coil assembly.

### **Electric Heating Operation**

When a call for heating (G and W1, W2, etc.) is made the supply fan motors and electric resistance heaters will energize. Heating is accomplished by passing electrical current through a specified amount of resistance heaters which will produce the required heat.

On a fault condition the main limit located in the supply air or the auxiliary limit located downstream the supply blower will remove power from all contactors.

### **Gas Heater Operation**

When heat (G and W1, W2, etc.) is called for the combustion motor starts and the ignition control is energized. See Gas Heater section for more details.

## Maintenance

(See back of the manual for maintenance log.)

At least once each year, a qualified service technician must check out the unit. Inspect supply fans, evaporator coils and air filters monthly.

### **WARNING**

Improper installation, adjustment, alteration, service or maintenance can cause property damage, personal injury or loss of life. Installation and service must be performed by a qualified installer. A copy of this IOM must be kept with the unit.

Periodically during operation, it is necessary to perform routine service checks on the performance of the unit. This includes checking of the air flow, the air filters, condenser water flow and refrigerant charge.

See Startup section for information on air flow adjustment and refrigerant charge adjustment.

### **DX Cooling**

Set unit controls to cooling mode of operation with supply fans on. Check the fans for correct operating direction, amperage and voltage.

### **Condensate Drain Pans**

Drain pans will have moisture present and require periodic cleaning to prevent microbial growth. Cleaning of the drain pans will also prevent any possible plugging of the drain lines and overflow of the pan itself. Cleaning of the drain pans and inside of the unit must be done only by qualified personnel.

### **Winterizing Coils**

In some cases it may be necessary to winterize water coils to prevent them from freezing.

First completely drain the coils. There is a drain located below the 'water in' connection and a vent connection located above the 'water out' connection. Auxiliary drain piping can also be added to exterior water piping if yearly winterizing is necessary.

After the coil is drained, fill with an antifreeze solution using a circulating pump. Then thoroughly drain.

### **Supply Fans**

### **CAUTION**

Blower wheels must be inspected for excessive dust build up periodically and cleaned if required. Excessive dust build up on blower wheels may cause an unbalanced state; leading to vibration and/or component failure. Damages due to excessive dust build up will not be covered under factory warranty.

### **WARNING**

Electric shock hazard. Shut off all electrical power to the unit to avoid shock hazard or injury from rotating parts.

### **E-Coated Coil Cleaning**

Documented routine cleaning of e-coated coils is required to maintain coating warranty coverage for fin and tube and microchannel coils. See the AAON E-Coated Coil Maintenance Record sheet.

 **WARNING**

Electric shock hazard. Shut off all electrical power to the unit to avoid shock hazard or injury from rotating parts.

Surface loaded fibers or dirt must be removed prior to water rinse to prevent restriction of airflow. If unable to back wash the side of the coil opposite of the coils entering air side, then surface loaded fibers or dirt must be removed with a vacuum cleaner. If a vacuum cleaner is not available, a **soft non-metallic** bristle brush may be used. In either case, the tool must be applied in the direction of the fins. Coil surfaces can be easily damaged (fin edges bent over) if the tool is applied across the fins.

Use of a water stream, such as a garden hose, against a surface loaded coil will drive the fibers and dirt into the coil. This will make cleaning efforts more difficult. Surface loaded fibers must be completely removed prior to using low velocity clean water rinse.

A **monthly** clean water rinse is recommended for coils that are applied in coastal or industrial environments to help to remove chlorides, dirt, and debris. It is very important when rinsing, that water temperature is less than 54.4°C (130°F) and pressure is less than 689.5 kpa (100 psig) to avoid damaging the fin edges. An elevated water temperature (not to exceed 54.4°C [130°F]) will reduce surface tension, increasing the ability to remove chlorides and dirt.

 **CAUTION**

High velocity water from a pressure washer or compressed air should only be used at a very low pressure to prevent fin and/or coil damages. The force of the water or air jet may bend the fin edges and increase airside pressure drop. Reduced unit performance or nuisance unit shutdowns may occur.

***Quarterly cleaning is essential to extend the life of an e-coated coil and is required to maintain coating warranty coverage.***

Coil cleaning shall be part of the unit's regularly scheduled maintenance procedures. Failure to clean an e-coated coil will void the warranty and may result in reduced efficiency and durability.

 **CAUTION**

Harsh chemicals, household bleach, or acid cleaners should not be used to clean outdoor or indoor e-coated coils. These cleaners can be very difficult to rinse out of the coil and can accelerate corrosion and attack the E-coating. If there is dirt below the surface of the coil, use the recommended coil cleaners.

For routine quarterly cleaning, first clean the coil with the below approved coil cleaner. After cleaning the coils with the approved cleaning agent, use the approved chloride remover to remove soluble salts and revitalize the unit.

***Recommended Coil Cleaner***

The following cleaning agent, when used in accordance with the manufacturer's directions on the container for proper mixing

and cleaning, has been approved for use on e-coated coils to remove mold, mildew, dust, soot, greasy residue, lint, and other particulate:

Enviro-Coil Cleaner: AAON PN: V82540

GulfClean™ Coil Cleaner ; AAON PN: G074480

### ***Recommended Chloride Remover***

GulfClean Salt Reducer™ ; AAON PN: G074490

GulfClean Salt Reducer™ is used to remove soluble salts from the e-coated coil, follow the manufacturer's instructions. This product is not intended for use as a degreaser. Any grease or oil film must first be removed with GulfClean™ Coil Cleaner.

Remove Barrier - First ensure the power to the unit is off and locked out. Clean the area around the unit if needed to ensure leaves, grass or loose debris will not be blown into the coil. Soluble salts adhere themselves to the substrate. For the effective use of this product, the product must be able to come in contact with the salts. These salts may be beneath any soils, grease or dirt; therefore, these barriers must be removed prior to application of this product. As in all surface preparation, the best work yields the best results.

Application - Apply GulfClean™ Coil Cleaner directly onto the substrate. Sufficient product must be applied uniformly across the substrate to thoroughly wet out surface, with no areas missed. This may be accomplished by use of a pump-up sprayer or conventional spray gun. Apply the cleaner to unit interior air exiting side coil surfaces first. Work in sections/panels moving side to side and from top to bottom.

Allow the cleaning solution to soak for 5 to 10 minutes. Then move on to the exterior using the same method.

Rinse - Using pressurized potable water such as a garden hose, (< 689.5 kpa [100 psi]), rinse the coils and continue to always work in sections/panels.

Continue until all coil areas on the inside of the unit have been rinsed. ***Note: Coils must always be cleaned / back flushed, opposite of airflow to prevent impacting the dirt into the coil.***

Repeat these steps with GulfClean™ Salt Reducer. When finished replace all panels and tops that were removed.

## Options

### Heating Coils

One or two row hot water and steam heating and preheating coils can be factory installed. These coils are supplied from a building hot water source. All valve controls for heating coil operation are field supplied and field installed. Hot water and steam coil connections are spun copper tube.

Connect the steam heating supply to the top of the coil and the return to the bottom.

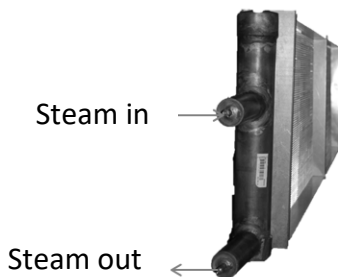


Figure 23 - Steam Distributing Piping

Table 10 - Steam Distributing Coil Sweat Connection Sizes

Model (H3-)	Supply and Return Connection Size (OD)	
A-E	5.4 cm	2 1/8"

Air handling units with steam heating coils **MUST BE** installed high enough to allow for a minimum of 0.31 meters (1 foot) condensate drop leg off of the steam coil, or as recommended by the steam trap manufacturer. Lines must be insulated with approved insulation and be properly fastened, sloped, and supported according to local code requirements.

Table 11 - Hot Water Coil Sweat Connection Sizes

Model (H3-)	Supply and Return Connection Size (OD)	
A	2.2 cm	7/8"
B	2.9 cm	1 1/8"
C	3.5 cm	1 3/8"
D & E	4.1 cm	1 5/8"

Connect the hot water heating supply to the bottom of the coil and return to the top.

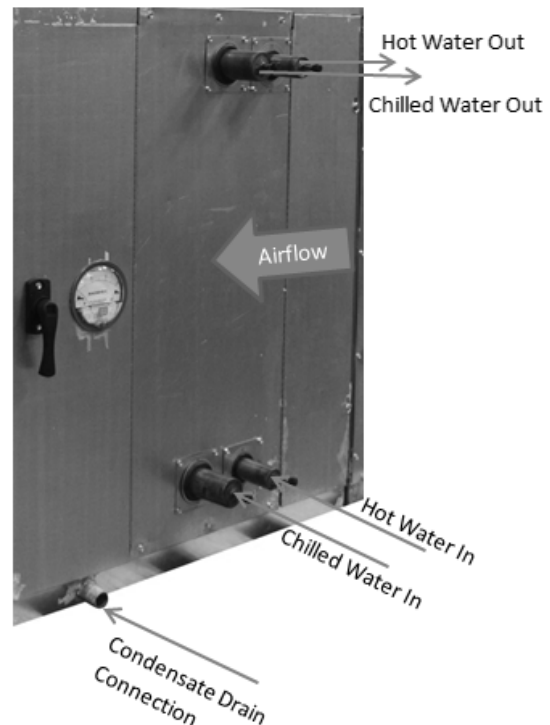


Figure 24 - Hot & Chilled Water Piping

Do not subject water coils to entering air temperatures below 3.3°C (38°F) to prevent coil freeze-up. If air temperature across the coil is going to be below this value, use a glycol solution to match the coldest air expected.

Water supply lines must be insulated, properly fastened, drained, and supported according to local code requirements.

### Chilled Water Coil

Factory installed four, six or eight row chilled water cooling coils can be factory mounted. These coils are supplied from a building chilled water source. All valve controls for the cooling coil operation are field supplied and field installed.

Table 12 - Chilled Water Coil Sweat Connection Sizes

Model (H3-)	Supply and Return Connection Size (OD)	
	A	2.9 cm
B	3.5 cm	1 3/8"
C	4.1 cm	1 5/8"
D & E	5.4 cm	2 1/8"

Connect the chilled water supply to the bottom of the coil and return to the top.

Water supply lines must be insulated with closed cell type pipe insulation or insulation that includes a vapor barrier. Lines must be properly fastened, drained and supported according to local code requirements, and job specifications.

Table 13 – Minimum and Maximum Coil Pressures and Temperatures

	Chilled Water	Hot Water
Min. Entering Air	15.6°C (60°F)	4.4 °C (40°F)
Max Entering Air	37.8°C (100°F)	26.7°C (80°F)
Min. Entering Water	1.7°C (35°F)	60°C (140°F)
Max Entering Water	18.3°C (65°F)	93.3°C (200°F)
Min. Water Pressure	0 kpa (15 psig)	
Max Water Pressure	2068kpa (300 psig)	

### WARNING

Piping shall be in accordance with national and local codes. Pressure limiting devices, backflow preventers and all other safety requirements are the sole responsibility of the installing contractor.

### CAUTION

Ensure water piping entries into the unit are properly sealed. Failure to seal the entries may result in damage to the unit and property.


### Direct Expansion (DX) Systems

All DX refrigerant coils are factory charged with a nitrogen holding charge. All DX systems include evaporator coils and thermal expansion valves (TXV).

Never turn off the main power supply to the unit, except for servicing, emergency, or complete shutdown of the unit. When power is cut off from the unit, crankcase heaters cannot prevent refrigerant migration into the



split system condensing unit compressors. This means the compressor may cool down and liquid refrigerant may accumulate in the compressor. The compressor is designed to pump refrigerant gas and damage may occur when power is restored.

 <b>CAUTION</b>
<b>CRANKCASE HEATER OPERATION</b>
Some units are equipped with compressor crankcase heaters, which must be energized at least 24 hours prior to cooling operation, to clear any liquid refrigerant from the compressors.

If power to the unit must be off for more than an hour, turn the thermostat system switch to "OFF", or turn the unit off at the control panel, and leave the unit off until the main power switch has been turned on again for at least 24 hours for units with compressor crankcase heaters. This will give the crankcase heater time to clear any liquid accumulation out of the compressor before it is started.

Always control the unit from the thermostat, or control panel, never at the main power supply, except for emergency or complete shutdown of the unit.

During the cooling season, if the air flow is reduced due to dirty air filters or any other reason, the cooling coils can get too cold which will cause excessive liquid to return to the compressor. As the liquid concentration builds up, oil is washed out of the compressor, leaving it starved for lubrication.


The compressor life will be seriously shortened by reduced lubrication and the pumping of excessive amounts of liquid oil and refrigerant.

**Note: Low Ambient Operation**

Air-cooled DX units without a low ambient option, such as condenser fan cycling or the -17.8°C (0°F) low ambient option, will not operate in the cooling mode of operation properly when the outdoor temperature is below 12.8°C (55°F). Low ambient and/or economizer options are recommended if cooling operation below 12.8°C (55°F) is expected.

**Evaporator Coil**

The air handling unit coils are pressurized. The copper caps must be punctured to permit a gradual escape of the pressure prior to unsweating those caps. Immediately couple the tubing to the indoor unit to avoid exposing the coils to moisture. A properly sized filter drier is furnished in the condenser. When making solder connections, make sure dry nitrogen flows through the lines, when heating the copper, to prevent oxidization inside of the copper. **Field piping between the condensing unit and the air handler is required. Line sizes must be selected to meet actual installation conditions, not simply based on the connection sizes.**

 <b>CAUTION</b>
<b>REFRIGERANT PIPING</b>
Line sizes must be selected to meet actual installation conditions, not simply based on the connection sizes at the condensing unit or air handling unit.

## Thermal Expansion Valve

Thermal expansion valve bulbs must be mounted with good thermal contact on a horizontal section of the suction line close to the evaporator, but outside the cabinet, and well insulated. On suction lines less than or equal to 22.2 mm (7/8") OD, mount in the 12 o'clock position. On suction lines greater than 22.2 mm (7/8") OD, mount in either the 4 o'clock or 8 o'clock position.

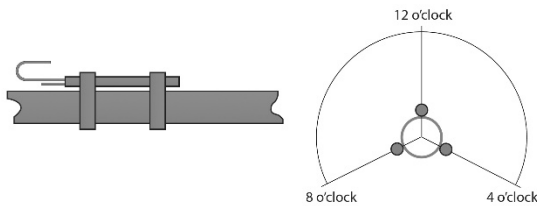


Figure 25 - TXV Bulb Position

## Hot Gas Reheat

Hot Gas Reheat (HGRH) is available for use with DX systems that need humidity control. The AAON modulating hot gas reheat system diverts hot discharge gas from the condenser to the air handling unit through the hot gas line. **Field piping between the condensing unit and the air handler is required. Line sizes must be selected to meet actual installation conditions, not simply based on the connection sizes.**

The line delivers the hot discharge gas to the reheat coil and/or the hot gas bypass valve, so it is sized as a discharge line.

## Hot Gas Bypass

Hot Gas Bypass is available for use with DX systems that may experience low suction pressure during the operating cycle. This may be due to varying load conditions associated with VAV applications or units supplying a large percentage of outside air. Hot Gas Bypass is not necessary in units with variable capacity compressors. The system is designed to divert refrigerant from the compressor discharge to the low pressure

side of the system in order to keep the evaporator from freezing and to maintain adequate refrigerant velocity for oil return at minimum load.

Hot discharge gas is redirected to the evaporator inlet via an auxiliary side connector (ASC) to false load the evaporator when reduced suction pressure is sensed. **Field piping between the condensing unit and the evaporator is required. Line sizes must be selected to meet actual installation conditions, not simply based on the connection sizes.**

## Purge Circuit

The purge circuit is required on hot gas reheat or hot gas bypass lines. The purge circuit needs to be field furnished and installed at the lowest point of the line set.

With this installation, oil drains into the drain leg of the hot gas reheat line. Oil accumulates until it reaches the level of the 3.2 mm (1/8") OD capillary tubing.

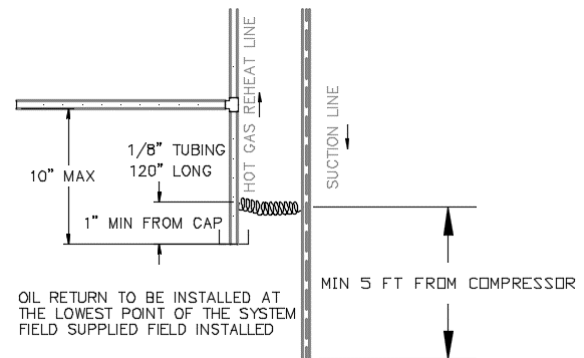


Figure 26 - Hot Gas Purge Circuit

The combination of capillary action and the pressure difference between the hot gas reheat line (high pressure) and the suction line (low pressure) causes the oil to travel through the capillary tube into the suction line of the first circuit to return the oil to the compressor. The capillary tube connection to

the suction line of the first circuit must be a minimum of 1.5 meters (5 feet) from the inlet to the compressor to allow the oil time to dissipate into the suction vapor and not slug the compressor with liquid oil.

### Adjusting Refrigerant Charge

Adjusting the charge of a system in the field must be based on determination of liquid sub-cooling and evaporator superheat. On a system with a TXV, liquid sub-cooling is more representative of the charge than evaporator superheat but both measurements must be taken.

### CAUTION

The Clean Air Act of 1990 bans the intentional venting of refrigerant (CFC's and HCFC's) as of July 1, 1992. Approved methods of recovery, recycling or reclaiming must be followed. Fines and/or incarceration may be levied for non-compliance.

#### *Before Charging*

Refer to the Unit Nameplate to determine which refrigerant must be used to charge the system.

Unit being charged must be at or near full load conditions before adjusting the charge.

Units equipped with hot gas bypass must have the hot gas bypass valve closed to get the proper charge.

Units equipped with hot gas reheat must be charged with the hot gas reheat valves closed while the unit is in cooling mode to get the proper charge. After charging, operate the unit in reheat (dehumidification) mode to check for correct operation.

Units equipped with heat pump options must be charged in cooling mode to get the proper charge. After charging, operate the unit in heating mode to check for correct charge. Charge may need to be adjusted for heating mode. If adjustments are made in the heating mode, cooling mode must be rerun to verify proper operation.

After adding or removing charge the system must be allowed to stabilize, typically 10-15 minutes, before making any other adjustments.

The type of unit and options determine the ranges for liquid sub-cooling and evaporator superheat. Refer to the tables below when determining the proper sub-cooling.

For units equipped with low ambient (-17.78°C [0°F]) option see the special charging instructions in the CF Series Installation and Operation Manual.

#### *Checking Liquid Sub-Cooling*

Measure the temperature of the liquid line as it leaves the condenser coil.

Read the gauge pressure at the liquid line close to the point where the temperature was taken. Use liquid line pressure as it will vary from discharge pressure due to condenser coil pressure drop.

Convert the pressure obtained to a saturated temperature using the appropriate refrigerant temperature-pressure chart.

Subtract the measured liquid line temperature from the saturated temperature to determine the liquid sub-cooling.

Compare calculated sub-cooling to the table below for the appropriate unit type and options.

Table 14 - Acceptable Refrigeration Circuit Values

	Cooling Mode Liquid Sub-Cooling Values (°C)	Cooling Mode Liquid Sub-Cooling Values (°F)
Cooling Only Unit <sup>4</sup>	4.4 - 8.3	8-15
Cooling Only Unit with Hot Gas Reheat <sup>1,4</sup>	2.8 - 8.3	5-15
Heat Pump Unit <sup>2,4</sup>	1.1 - 2.2	2-4
Heat Pump Unit with Hot Gas Reheat <sup>3,4</sup>	1.1 - 3.3	2-6
Cooling Only Unit with LAC <sup>4</sup>	4.4 - 8.3	8-15
Cooling Only Unit with Hot Gas Reheat & LAC <sup>4</sup>	4.4 - 8.3	8-15

Notes:

1. Must be charged with the hot gas valve closed. After charging, operate the unit in reheat (dehumidification) mode to check for correct operation.
2. The sub-cooling value in this table is for the unit running in cooling mode of operation. If unit is a

heat pump, operate the unit in heating mode to check for correct operation after charging in cooling.

3. The sub-cooling value in this table is for the unit running in cooling mode of operation and the hot gas valve closed. After charging, operate the unit in reheat (dehumidification) mode to check for correct operation and then in heating mode to check for correct operation.
4. Sub-cooling must be increased by 0.6°C (1°F) per 3.1 meters (10 feet) of vertical liquid line rise for R-410A (AHU above CU). For example, a cooling only unit with hot gas reheat and a vertical liquid drop can charge to a sub-cooling value between 2.8 and 8.3°C (5-15°F), but a cooling only unit with hot gas reheat and a vertical liquid rise of 9.1 m (30 ft) must charge to a sub-cooling value of at least between 4.4 and 8.3°C (8-15°F). **DO NOT OVERCHARGE.** Refrigerant overcharging leads to excess refrigerant in the condenser coils resulting in elevated compressor discharge pressure.

Table 15 - Acceptable Microchannel Air-Cooled Condenser Coil Liquid Sub-Cooling Values (Metric)

Ambient (°C)	Cooling Mode Liquid Sub-Cooling Values(°C)				
	Evaporator Coil Saturation Temperature (°C)				
	4.4	7.2	8.9	10.0	12.8
19.4	5.0 - 7.8	4.4 - 7.2	4.4 - 7.2	3.9 - 6.7	2.8 - 5.6
22.2	5.6 - 8.3	5.0 - 7.8	5.0 - 7.8	4.4 - 7.2	3.9 - 6.7
27.8	5.6 - 8.3	5.6 - 8.3	5.6 - 8.3	5.0 - 7.8	3.9 - 6.7
35.0	5.6 - 8.3	5.6 - 8.3	5.6 - 8.3	5.0 - 7.8	4.4 - 7.2
40.6	6.1 - 8.9	6.1 - 8.9	5.6 - 8.3	5.6 - 8.3	4.4 - 7.2
46.1	5.6 - 8.3	6.1 - 8.9	6.1 - 8.9	6.1 - 8.9	5.0 - 7.8

Table 16 - Acceptable Microchannel Air-Cooled Condenser Coil Liquid Sub-Cooling Values (Imperial)

Ambient (°F)	Cooling Mode Liquid Sub-Cooling Values(°F)				
	Evaporator Coil Saturation Temperature (°F)				
	40	45	48	50	55
67	9 - 14	8 - 13	8 - 13	7 - 12	5 - 10
72	10 - 15	9 - 14	9 - 14	8 - 13	7 - 12
82	10 - 15	10 - 15	10 - 15	9 - 14	7 - 12
95	10 - 15	10 - 15	10 - 15	9 - 14	8 - 13
105	11 - 16	11 - 16	10 - 15	10 - 15	8 - 13
115	10 - 15	11 - 16	11 - 16	11 - 16	9 - 14

Notes:

1. Microchannel condenser coils are more sensitive to charge. The system must be running in cooling mode with compressor, supply airflow & condenser fan speed at full load. The sub-cooling value changes depending on the ambient temperature reading and the evaporator coil saturation temperature. To find the correct sub-cooling value, find the ambient temperature on the first column and follow that across to the SST (4.4-12.8°C [40-55°F]).
2. Superheat for Microchannel condenser coils must be between 4.4 and 8.3°C (8 - 15°F).

Checking Evaporator Superheat

Measure the temperature of the suction line close to the evaporator.

Read gauge pressure at the suction line close to the evaporator.

Convert the pressure obtained to a saturated temperature using the appropriate refrigerant temperature-pressure chart.

Subtract the saturated temperature from the measured suction line temperature to determine the evaporator superheat.

Compare calculated superheat to the acceptable cooling mode superheat values between 4.4 and 8.3°C (8 - 15°F) for all

system types. Superheat will increase with long suction line runs.

For refrigeration systems with tandem compressors, it is critical that the suction superheat setpoint on the TXV is set with one compressor running. The suction superheat must be between 5.6 and 7.2°C (10-13°F) with one compressor running. The suction superheat will increase with both compressors in a tandem running. Inadequate suction superheat can allow liquid refrigerant to return to the compressors which will wash the oil out of the compressor. Lack of oil lubrication will destroy a compressor. Measure liquid sub-cooling with both compressors in a refrigeration system running.

 **CAUTION**

Thermal expansion valve must be adjusted between 4.4 and 8.3°C (8-15°F) of suction superheat. Failure to have sufficient superheat will damage the compressor and void the warranty.

*Adjusting Sub-Cooling and Superheat Temperatures*

The system is overcharged if the sub-cooling temperature is too high and the evaporator is fully loaded (low loads on the evaporator result in increased sub-cooling) and the evaporator superheat is within the temperature range as shown in the table above (high superheat results in increased sub-cooling).

Correct an overcharged system by reducing the amount of refrigerant in the system to lower the sub-cooling.

The system is undercharged if the superheat is too high and the sub-cooling is too low.

Correct an undercharged system by adding refrigerant to the system to reduce superheat and raise sub-cooling.

If the sub-cooling is correct and the superheat is too high, the TXV may need adjustment to correct the superheat. Before adjusting the TXV, verify the sensing bulb is in the correct position according to Figure 23 and follow the guidelines below.

1. The suction line is clean where the sensing bulb is attached.
2. The entire length of the sensing bulb is in contact with the suction line.
3. Place the sensing bulb several centimeters (inches) downstream of the equalizer line.
4. The sensing bulb is fully insulated.
5. If the sensing bulb is installed on a vertical portion of the suction line, place the sensing bulb upstream of suction line trap.

Table 17 - R-410A Refrigerant Temperature-Pressure Chart (Metric)

°C	KPA	°C	KPA	°C	KPA	°C	KPA	°C	KPA
<b>-6.7</b>	539.9	<b>8.3</b>	928.8	<b>23.3</b>	1473.5	<b>38.3</b>	2213.3	<b>53.3</b>	3193.8
<b>-6.1</b>	551.6	<b>8.9</b>	946.0	<b>23.9</b>	1496.9	<b>38.9</b>	2245.0	<b>53.9</b>	3235.8
<b>-5.6</b>	564.0	<b>9.4</b>	963.2	<b>24.4</b>	1521.0	<b>39.4</b>	2276.7	<b>54.4</b>	3277.9
<b>-5.0</b>	576.4	<b>10.0</b>	980.5	<b>25.0</b>	1545.2	<b>40.0</b>	2309.1	<b>55.0</b>	3320.6
<b>-4.4</b>	588.8	<b>10.6</b>	998.4	<b>25.6</b>	1570.0	<b>40.6</b>	2341.5	<b>55.6</b>	3363.4
<b>-3.9</b>	601.2	<b>11.1</b>	1016.3	<b>26.1</b>	1594.8	<b>41.1</b>	2374.6	<b>56.1</b>	3406.8
<b>-3.3</b>	614.3	<b>11.7</b>	1034.9	<b>26.7</b>	1619.6	<b>41.7</b>	2408.4	<b>56.7</b>	3450.9
<b>-2.8</b>	627.4	<b>12.2</b>	1053.6	<b>27.2</b>	1645.1	<b>42.2</b>	2442.2	<b>57.2</b>	3495.1
<b>-2.2</b>	640.5	<b>12.8</b>	1072.2	<b>27.8</b>	1670.7	<b>42.8</b>	2476.0	<b>57.8</b>	3539.9
<b>-1.7</b>	654.3	<b>13.3</b>	1090.8	<b>28.3</b>	1696.2	<b>43.3</b>	2510.5	<b>58.3</b>	3585.4
<b>-1.1</b>	667.4	<b>13.9</b>	1110.1	<b>28.9</b>	1722.4	<b>43.9</b>	2544.9	<b>58.9</b>	3630.9
<b>-0.6</b>	681.2	<b>14.4</b>	1129.4	<b>29.4</b>	1749.3	<b>44.4</b>	2580.1	<b>59.4</b>	3677.1
<b>0.0</b>	695.7	<b>15.0</b>	1149.4	<b>30.0</b>	1775.5	<b>45.0</b>	2616.0	<b>60.0</b>	3724.0
<b>0.6</b>	709.5	<b>15.6</b>	1169.4	<b>30.6</b>	1802.4	<b>45.6</b>	2651.8	<b>60.6</b>	3771.6
<b>1.1</b>	724.0	<b>16.1</b>	1189.4	<b>31.1</b>	1829.9	<b>46.1</b>	2688.4	<b>61.1</b>	3819.1
<b>1.7</b>	738.5	<b>16.7</b>	1209.4	<b>31.7</b>	1857.5	<b>46.7</b>	2724.9	<b>61.7</b>	3867.4
<b>2.2</b>	752.9	<b>17.2</b>	1230.1	<b>32.2</b>	1885.8	<b>47.2</b>	2761.4	<b>62.2</b>	3915.7
<b>2.8</b>	768.1	<b>17.8</b>	1251.4	<b>32.8</b>	1914.1	<b>47.8</b>	2798.7	<b>62.8</b>	3965.3
<b>3.3</b>	783.3	<b>18.3</b>	1272.1	<b>33.3</b>	1942.3	<b>48.3</b>	2836.6	<b>63.3</b>	4015.0
<b>3.9</b>	798.4	<b>18.9</b>	1293.5	<b>33.9</b>	1971.3	<b>48.9</b>	2874.5	<b>63.9</b>	4065.3
<b>4.4</b>	814.3	<b>19.4</b>	1314.9	<b>34.4</b>	2000.2	<b>49.4</b>	2913.1	<b>64.4</b>	4115.6
<b>5.0</b>	829.5	<b>20.0</b>	1336.9	<b>35.0</b>	2029.9	<b>50.0</b>	2952.4	<b>65.0</b>	4167.3
<b>5.6</b>	846.0	<b>20.6</b>	1359.0	<b>35.6</b>	2059.5	<b>50.6</b>	2991.7	<b>65.6</b>	4219.1
<b>6.1</b>	861.9	<b>21.1</b>	1381.8	<b>36.1</b>	2089.2	<b>51.1</b>	3031.0		
<b>6.7</b>	878.4	<b>21.7</b>	1403.8	<b>36.7</b>	2120.2	<b>51.7</b>	3071.0		
<b>7.2</b>	895.0	<b>22.2</b>	1427.3	<b>37.2</b>	2150.6	<b>52.2</b>	3111.7		
<b>7.8</b>	911.5	<b>22.8</b>	1450.0	<b>37.8</b>	2181.6	<b>52.8</b>	3153.1		

Table 18 - R-410A Refrigerant Temperature-Pressure Chart (Imperial)

°F	PSIG	°F	PSIG	°F	PSIG	°F	PSIG	°F	PSIG
<b>20</b>	78.3	<b>47</b>	134.7	<b>74</b>	213.7	<b>101</b>	321.0	<b>128</b>	463.2
<b>21</b>	80.0	<b>48</b>	137.2	<b>75</b>	217.1	<b>102</b>	325.6	<b>129</b>	469.3
<b>22</b>	81.8	<b>49</b>	139.7	<b>76</b>	220.6	<b>103</b>	330.2	<b>130</b>	475.4
<b>23</b>	83.6	<b>50</b>	142.2	<b>77</b>	224.1	<b>104</b>	334.9	<b>131</b>	481.6
<b>24</b>	85.4	<b>51</b>	144.8	<b>78</b>	227.7	<b>105</b>	339.6	<b>132</b>	487.8
<b>25</b>	87.2	<b>52</b>	147.4	<b>79</b>	231.3	<b>106</b>	344.4	<b>133</b>	494.1
<b>26</b>	89.1	<b>53</b>	150.1	<b>80</b>	234.9	<b>107</b>	349.3	<b>134</b>	500.5
<b>27</b>	91.0	<b>54</b>	152.8	<b>81</b>	238.6	<b>108</b>	354.2	<b>135</b>	506.9
<b>28</b>	92.9	<b>55</b>	155.5	<b>82</b>	242.3	<b>109</b>	359.1	<b>136</b>	513.4
<b>29</b>	94.9	<b>56</b>	158.2	<b>83</b>	246.0	<b>110</b>	364.1	<b>137</b>	520.0
<b>30</b>	96.8	<b>57</b>	161.0	<b>84</b>	249.8	<b>111</b>	369.1	<b>138</b>	526.6
<b>31</b>	98.8	<b>58</b>	163.8	<b>85</b>	253.7	<b>112</b>	374.2	<b>139</b>	533.3
<b>32</b>	100.9	<b>59</b>	166.7	<b>86</b>	257.5	<b>113</b>	379.4	<b>140</b>	540.1
<b>33</b>	102.9	<b>60</b>	169.6	<b>87</b>	261.4	<b>114</b>	384.6	<b>141</b>	547.0
<b>34</b>	105.0	<b>61</b>	172.5	<b>88</b>	265.4	<b>115</b>	389.9	<b>142</b>	553.9
<b>35</b>	107.1	<b>62</b>	175.4	<b>89</b>	269.4	<b>116</b>	395.2	<b>143</b>	560.9
<b>36</b>	109.2	<b>63</b>	178.4	<b>90</b>	273.5	<b>117</b>	400.5	<b>144</b>	567.9
<b>37</b>	111.4	<b>64</b>	181.5	<b>91</b>	277.6	<b>118</b>	405.9	<b>145</b>	575.1
<b>38</b>	113.6	<b>65</b>	184.5	<b>92</b>	281.7	<b>119</b>	411.4	<b>146</b>	582.3
<b>39</b>	115.8	<b>66</b>	187.6	<b>93</b>	285.9	<b>120</b>	416.9	<b>147</b>	589.6
<b>40</b>	118.1	<b>67</b>	190.7	<b>94</b>	290.1	<b>121</b>	422.5	<b>148</b>	596.9
<b>41</b>	120.3	<b>68</b>	193.9	<b>95</b>	294.4	<b>122</b>	428.2	<b>149</b>	604.4
<b>42</b>	122.7	<b>69</b>	197.1	<b>96</b>	298.7	<b>123</b>	433.9	<b>150</b>	611.9
<b>43</b>	125.0	<b>70</b>	200.4	<b>97</b>	303.0	<b>124</b>	439.6		
<b>44</b>	127.4	<b>71</b>	203.6	<b>98</b>	307.5	<b>125</b>	445.4		
<b>45</b>	129.8	<b>72</b>	207.0	<b>99</b>	311.9	<b>126</b>	451.3		
<b>46</b>	132.2	<b>73</b>	210.3	<b>100</b>	316.4	<b>127</b>	457.3		



## Energy Recovery Units

Some H3 units have been equipped with an energy recovery wheel. This section is provided to assure the energy recovery feature will be properly setup to perform in accordance with the job specifications for your particular application.

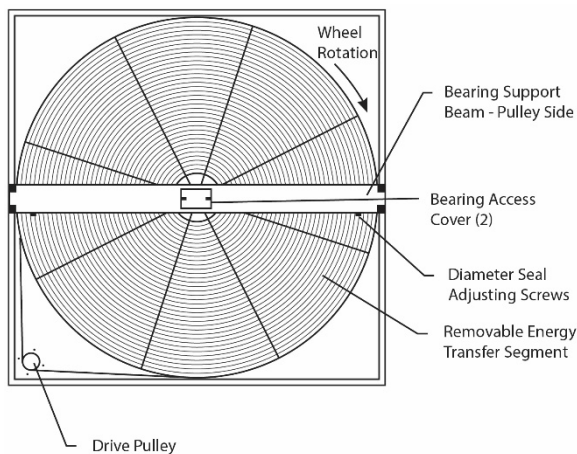


Figure 27 - Energy Recovery Wheel

The Energy Recovery Cassette consists of a frame wheel, wheel drive system, and energy transfer segments. Segments are removable for cleaning or replacement. The segments rotate through counter flowing exhaust and outdoor air supply streams where they transfer heat and/or water vapor from the warm, moist air stream to the cooler and/or drier air stream.

The initial setup and servicing of the energy recovery wheel is very important to maintain proper operation efficiency and building occupant comfort.

Normal maintenance requires periodic inspection of filters, the cassette wheel, drive belts, air seals, wheel drive motor, and its electrical connections.

Wiring diagrams are provided with each motor. When wired according to wiring diagram, motor rotates clockwise when viewed from the shaft/pulley side.

By carefully reviewing the information within this section and following the instructions, the risk of improper operation and/or component damage will be minimized.

It is important that periodic maintenance be performed to help assure trouble free operation.

### Initial Mechanical Check and Setup

Outdoor air intake adjustments must be made according to building ventilation, or local code requirements.

After the unit installation is complete, open the cassette access door and determine that the energy wheel rotates freely when turned by hand. Apply power and observe that the wheel rotates at approximately 30 RPM. If the wheel does not rotate when power is applied, it may be necessary to readjust the “diameter air seals”.

Handle cassettes with care. Lift all cassettes by the bearing support beam. Holes are provided on both sides of the bearing support beams to facilitate rigging as shown in the following illustration.

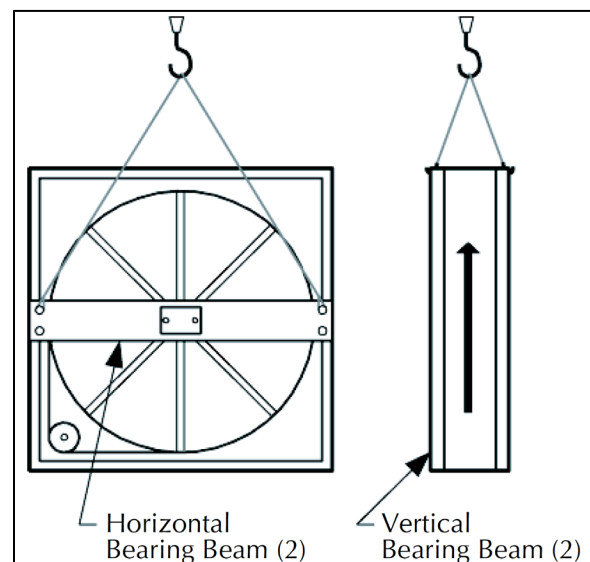


Figure 28 - Lifting Hole Locations

### Polymer Energy Recovery Wheel

This section is provided to assure the energy recovery feature will be properly setup to perform in accordance with the job specifications for your particular application.

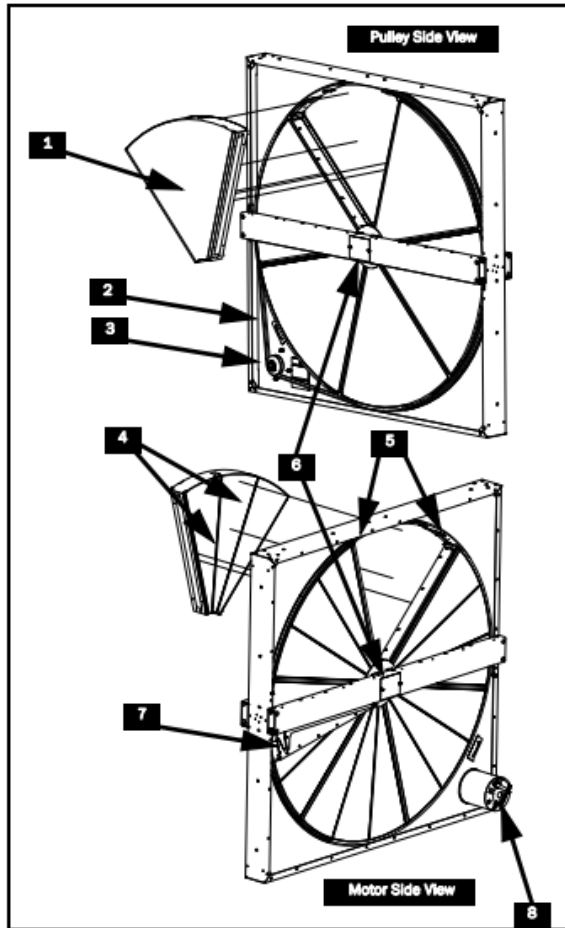
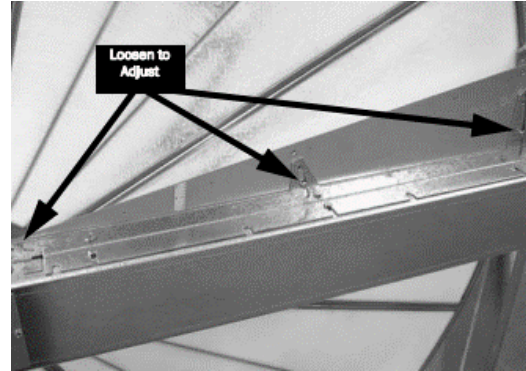


Figure 29 - Polymer Energy Recovery Wheel

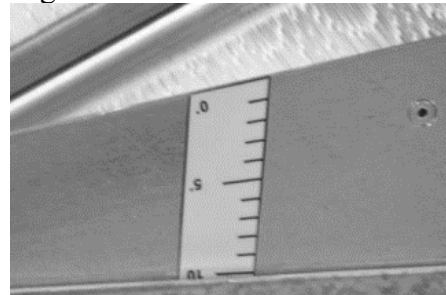
1. Removable Segment
2. Permanent Tension Belt
3. Pulley
4. Embedded Segment Stiffeners
5. Segment Retaining Latches
6. Bearing Beam and Bearing Access Cover Plate (Diameter Seals are behind Bearing Beam on both sides)
7. Adjustable Purge
8. Motor

### Polymer Wheel Set Purge Angle

When installed, the purge angle is factory set to 5 degrees. If a different angle is required, complete the following steps to adjust the purge:



1. Loosen the three purge adjusting screws.
2. Adjust purge sector to the specified angle.



3. Tighten the purge adjusting screws.
4. Turn the wheel by hand clockwise (when viewed from pulley side) to check for interference.

### Polymer Wheel Check Purge Seal

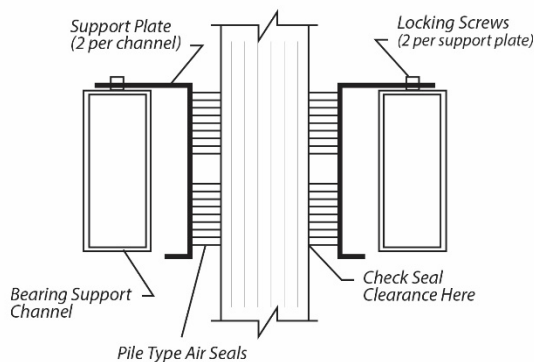
If a purge is installed, check for a slight interference fit between the seal and the face of the wheel by sliding a piece of paper (“feeler gauge”) between the seal and the media a multiple locations along the purge seal as you rotate the wheel slowly by hand (clockwise when viewed from the pulley side). Verify that the media slightly grabs the paper during rotation.



If it is necessary to adjust a purge seal to the face of the wheel, loosen the two or three screws along the bearing beam and adjust to the proper distance from the media surface. Tighten the screws and retest the seal.

### Polymer Wheel Air Seal Adjustments

Pile type air seals across both sides of the energy wheel diameter are factory adjusted to provide close clearance between the air seal and wheel.



Cross Section of Air Seal Structure

Racking of the unit or cassette during installation, and/or mounting of the unit on a non-level support or in other than the factory orientation can change seal clearances. Tight seals will prevent rotation.

### Polymer Wheel to Air Seal Clearance

To check wheel to seal clearance; first disconnect power to the unit, in some units the energy recovery wheel assembly can be pulled out from the cabinet to view the air seals. On larger units, the energy recovery wheel may be accessible inside the walk-in cabinet.

A business card or two pieces of paper can be used as a feeler gauge, (typically each 1 mm [.004"] thick) by placing it between the face of the wheel and pile seal.

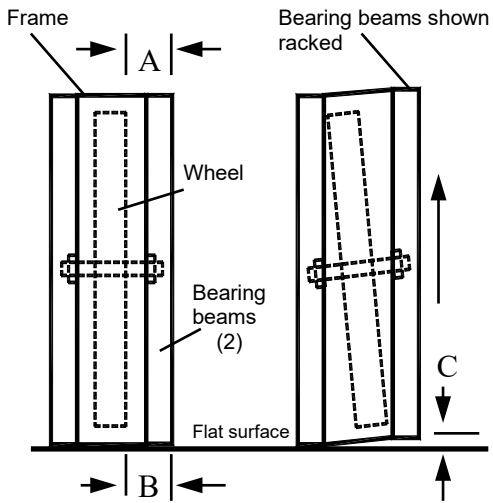
Using the paper, determine if a loose slip fit exist between the pile seal and wheel when the wheel is rotated by hand.

To adjust air seal clearance, loosen all seal plate retaining screws holding the separate seal retaining plates to the bearing support channels and slide the seals plates away from the wheel. Using the paper feeler gauge, readjust and retighten one seal plate at a time to provide slip fit clearance when the wheel is rotated by hand.

Confirm that the wheel rotates freely. Apply power to the unit and confirm rotation. Visually inspect the belt and ensure the belt is tracking near the center of the rim. Verify the wheel speed is approximately 45-50 RPM. Confirm there is no excessive noise such as scraping, brushing, or banging.

### Polymer Wheel Orientation & Support

The Energy Recovery Cassette may be mounted in any orientation. However, Care must be taken to make certain that the cassette frame remains flat and the bearing beams are not racked.



Avoid Racking of Cassette Frame

To verify, make certain that the distance between wheel rim and bearing beam is the same at each end of the bearing beam, to within 6.4 mm (1/4") (dimension A & B). This amount of racking can be compensated for by adjusting the diameter seals.

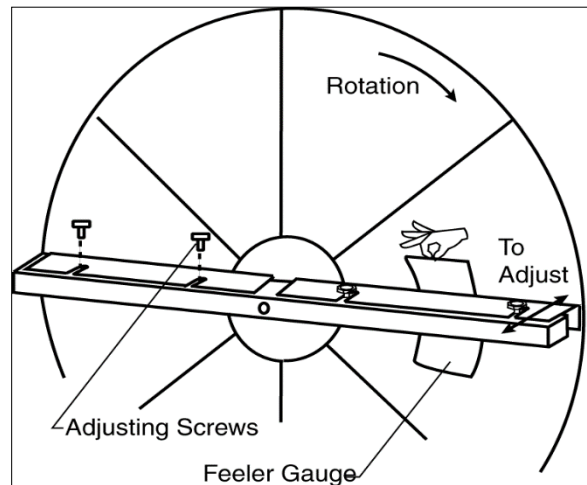
If greater than 1/4 inch (dimension C), racking must be corrected to ensure that drive belt will not disengage from wheel.

### Polymer Wheel Startup

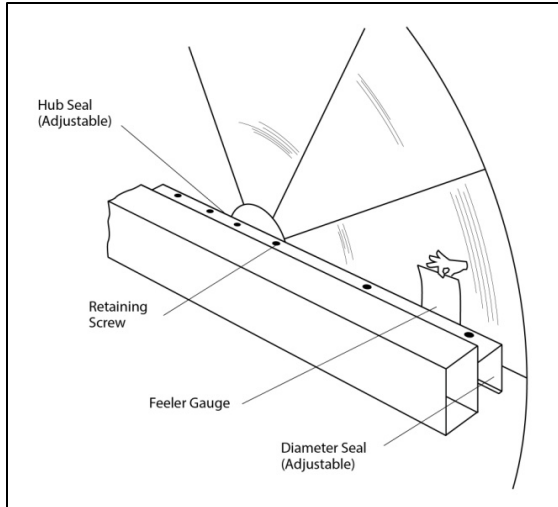
Open the access door and determine that the energy recovery wheel rotates freely when turned by hand with no interference noise. Apply power and observe that the wheel rotates. If the wheel does not rotate when power is applied, it may be necessary to readjust the "diameter air seals".

1. By hand, turn wheel clockwise (as viewed from the pulley side), to verify wheel turns freely through 360° rotation.
2. Before applying power to drive motor, confirm wheel segments are fully engaged in wheel frame and segment retainers are completely fastened. (See Segment Installation Diagram).

3. With hands and objects away from moving parts, activate unit and confirm wheel rotation. Wheel rotates clockwise (as viewed from the pulley side).
4. If wheel has difficulty starting, turn power off and inspect for excessive interference between the wheel surface and each of the four (4) diameter seals. To correct, loosen diameter seal adjusting screws and back adjustable diameter seals away from surface of wheel, apply power to confirm wheel is free to rotate, then re-adjust and tighten hub and diameter seals, as shown in hub seal adjustment diagram.
5. Start and stop wheel several times to confirm seal adjustment and to confirm belt is tracking properly on wheel rim (approximately 6.4 mm [1/4"] from outer edge of rim).



Diameter Seal Adjustment



Hub Seal Adjustment

**Controls**

A variety of controls and electrical accessories may be provided with the equipment. Identify the controls on each unit by consulting appropriate submittal, or order documents, and operate according to the control manufacturer’s instructions. If you cannot locate installation, operation, or maintenance information for the specific controls, then contact your sales representative, or the control manufacturer for assistance.

**! WARNING**

Do not alter factory wiring. Deviation from the supplied wiring diagram will void all warranties, and may result in equipment damage or personal injury. Contact the factory with wiring discrepancies.

**Aluminum Wheel Cleaning**

See general energy recovering cleaning section for how often to clean.

To clean, gain access to the aluminum energy recovery wheel then use the following methods:

- Use a brush or vacuum cleaner to remove small materials.
- Use compressed air at a distance of at least 0.6 m (2 ft) from the wheel. Too much pressure can easily damage the aluminum media.
- First remove the energy recovery wheel from the unit. Then use water at a distance of at least 0.6 m (2 ft) from the wheel. Do not use detergents. Keep temperature below 25°C (77°F). Tightly cover all electric parts and bearings while used pressurized water. Remove excess water before reinstalling the wheel.

**Polymer Energy Recovery Cleaning**

To clean, gain access to the polymer energy recovery wheel, remove the segments, then use the following methods:

- Soak in the solution until grease and tar deposits are loosened (Note: some staining of the desiccant may remain and is not harmful to performance).
- Before removing, rapidly run finger across surface of segment to separate polymer strips for better cleaning action.
- Rinse dirty solution from segment and remove excess water before reinstalling in wheel.

**! CAUTION**

Do not use acid based cleaners, aromatic solvents, steam or temperatures in excess of 170°F; damage to the wheel may occur!

**Polymer Wheel Segment Installation & Replacement**

An uneven number of segments in the wheel will cause the wheel to accelerate in rotation. Minimize wheel imbalance and unwanted rotation during service by installing or

removing opposing segments for even weight distribution. Failure to maintain control of the wheel rotation while removing or installing all segments could cause severe injury to fingers or hands. Always close and secure segment retaining latches before rotating wheel.

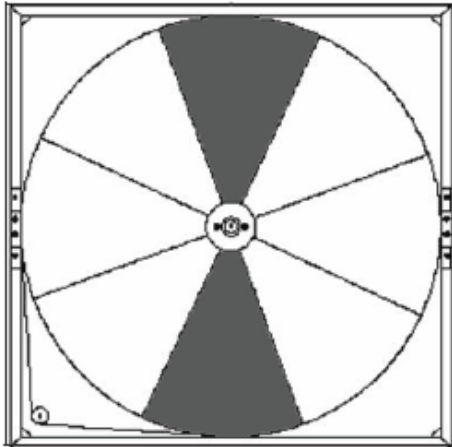
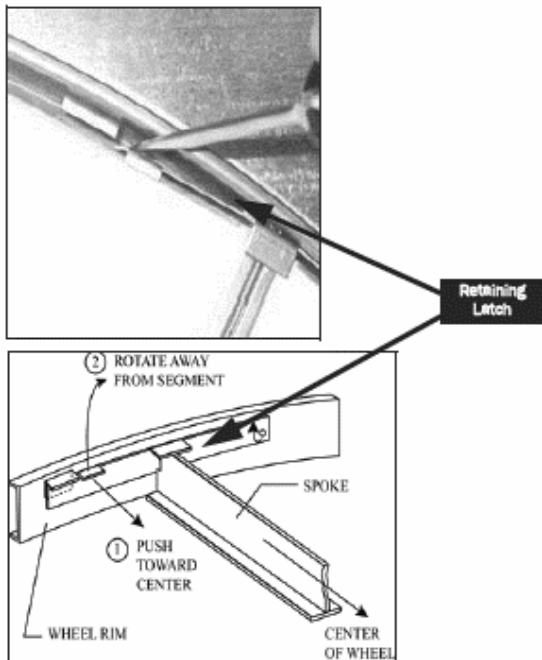


Figure 30 - Wheel Segment Removal Pattern

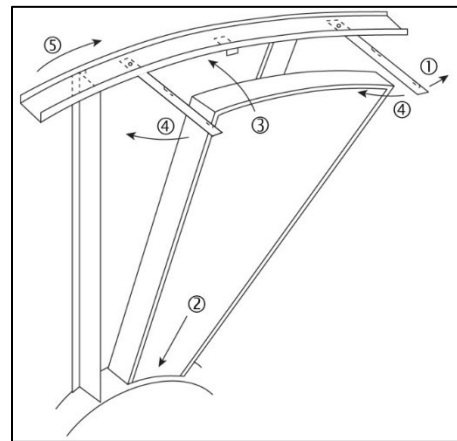
Wheel segments are secured to the wheel frame by a Segment Retainer which pivots on the wheel rim and is held in place by Segment Retaining Latches.



Segment Retainer

To install wheel segments, follow the steps below. Reverse procedure for segment removal.

1. Disconnect power from the wheel.
2. Gain access to the wheel and slide wheel frame out of cabinet.
3. Unlock two segment retainers (one on each side of the selected segment opening).
4. With the embedded stiffener facing the motor side, insert the nose of the segment between the hub plates.



#### Segment Installation

5. Holding segment by the two outer corners, press the segment towards the center of the wheel and inwards against the spoke flanges. If hand pressure does not fully seat the segment, insert the flat tip of a screw driver between the wheel rim and outer corners of the segment and apply downward force while guiding the segment into place.
6. Close and latch each Segment Retainer under Segment Retaining Catch.
7. Slowly rotate the wheel 180°. Install the second segment opposite the first for counterbalance. Rotate the two installed segments 90° to balance the wheel while the third segment is installed. Rotate the wheel 180° again to install the fourth segment opposite the third. Repeat this sequence with the remaining four segments.

### **Polymer Wheel Air Seals**

Four adjustable diameter seals are provided on each cassette to minimize transfer of air between the counter flowing airstreams.

To adjust diameter seals, loosen diameter seal adjusting screws and back seals away from wheel surface. Rotate wheel clockwise until two opposing spokes are hidden behind the bearing support beam. Using a folded piece of paper as a feeler gauge, position paper between the wheel surface and diameter seals.

Adjust seals towards wheel surface until a slight friction on the feeler gauge (paper) is detected when gauge is moved along the length of the spoke. Retighten adjusting screws and recheck clearance with “feeler” gauge.

### **Polymer Wheel Drive Components**

The wheel drive motor bearings are pre-lubricated and no further lubrication is necessary.

The wheel drive pulley is secured to the drive motor shaft by a combination of either a key or D slot and set screw.

The set screw is secured with removable locktite to prevent loosening. Annually confirm set screw is secure. The wheel drive belt is a urethane stretch belt designed to provide constant tension through the life of the belt. No adjustment is required. Inspect the drive belt annually for proper tracking and tension. A properly tensioned belt will turn the wheel immediately after power is applied with no visible slippage during start-up.

### **Polymer Wheel Drive Motor and Pulley Replacement**

1. Disconnect power to wheel drive motor.
2. Remove belt from pulley and position temporarily around wheel rim.
3. Loosen set screw in wheel drive pulley using a hex head wrench and remove pulley from motor drive shaft.
4. While supporting weight of drive motor in one hand, loosen and remove (4) mounting bolts.
5. Install replacement motor with hardware kit supplied.
6. Install pulley to dimension as shown and secure set screw to drive shaft.
7. Stretch belt over pulley and engage in groove.
8. Follow start-up procedure.

### **Polymer Wheel Belt Replacement**

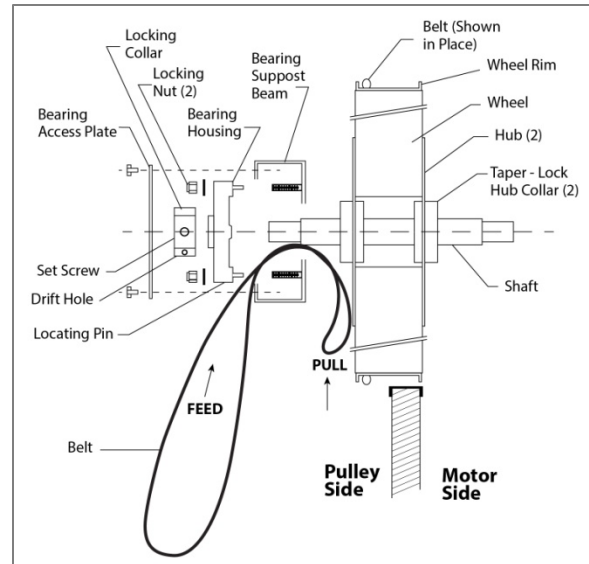
1. Obtain access to the pulley side bearing access plate if bearing access plates are provided. Remove two bearing access plate retaining screws and the access plate.
2. Using hexagonal wrench, loosen set screw in bearing locking collar. Using light hammer and drift (in drift pin hole) tap collar in the direction of wheel rotation to unlock collar. Remove collar.
3. Using socket wrench with extension, remove two nuts which secure bearing housing to the bearing support beam. Slide bearing from shaft. If not removable by hand, use bearing puller.
4. Form a small loop of belt and pass it through the hole in the bearing support beam. Grasp the belt at the wheel hub and pull the entire belt down.

**Note:** Slight hand pressure against wheel rim will lift weight of wheel from inner race of bearing to assist bearing removal and installation.

**! CAUTION**

Protect hands and belt from possible sharp edges of hole in Bearing Support Beam.


5. Loop the trailing end of the belt over the shaft (belt is partially through the opening).
6. Reinstall the bearing onto the wheel shaft, being careful to engage the two locating pins into the holes in the bearing support beam. Secure the bearing with two self-locking nuts.
7. Install the belts around the wheel and pulley according to the instructions provided with the belt.
8. Reinstall diameter seals or hub seal and tighten retaining screws. Rotate wheel in clockwise direction to determine that wheel rotates freely with slight drag on seals.
9. Reinstall bearing locking collar. Rotate collar by hand in the direction the wheel rotates (see label provided on each cassette for wheel rotation).
10. Lock in position by tapping drift pin hole with hammer and drift. Secure in position by tightening set screw.
11. Reinstall Bearing Access Cover.
12. Apply power to wheel and ensure that the wheel rotates freely without interference.



Belt Replacement



*Energy Recovery Wheel General Cleaning*  
 Routine maintenance of the Energy Recovery Wheel includes periodic cleaning of the Energy Recovery Wheel as well as inspection of the Air Seals and Wheel Drive Components.

 <b>CAUTION</b>
<p>Disconnect electrical power before servicing energy recovery cassette. Always keep hands away from bearing support beam when installing or removing segments. Failure to do so could result in severe injury to fingers or hand.</p>

Cleaning the energy transfer media will help maintain optimal performance. The frequency of cleaning is largely dependent on the application and air quality. Use

ASHRAE’s Classes of Air categories, to create a routine cleaning schedule.

Class 1 air has low contaminant concentration with inoffensive odor and sensory irritation intensity.

Class 2 air has moderate contaminant concentration, with mildly offensive odors or sensory-irritation intensity.

Class 3 air has significant contaminant concentration and significant offensive odor or sensory-irritation intensity.

Class 4 air has highly objectionable fumes or gases and potentially contains dangerous particles, bio-aerosols, or gases at a concentration high enough to be considered harmful, not suitable for recirculation or transfer to any other space.

Table 19 – Energy Recovery Wheel Cleaning Frequency

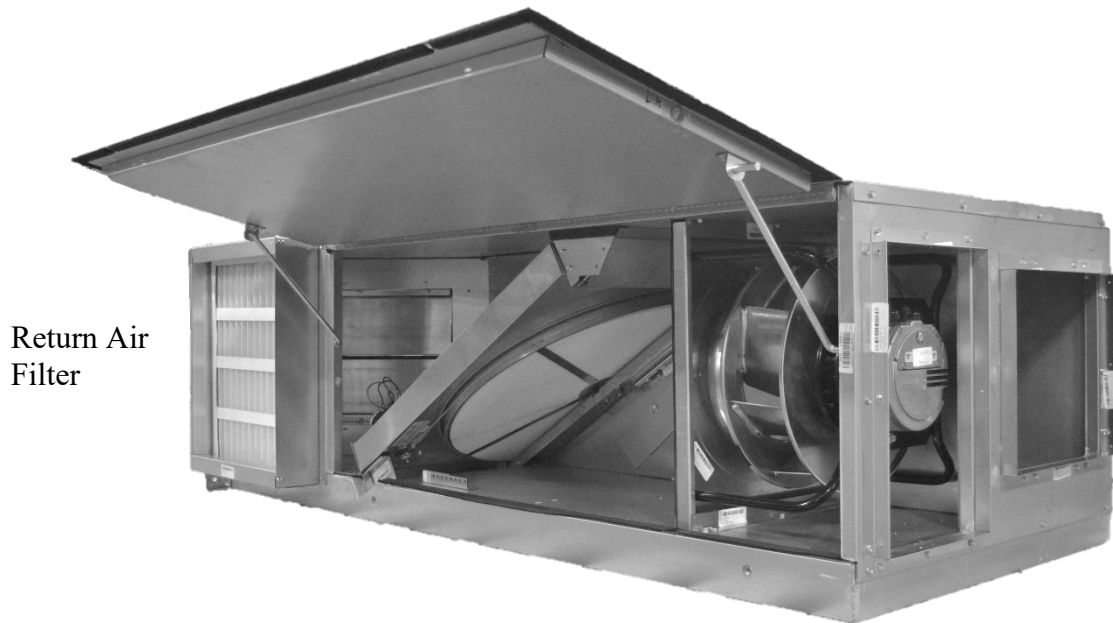
Class of Air	Examples	Cleaning Frequency
Class 1 Clean Air	<ul style="list-style-type: none"> <li>• Offices</li> <li>• Classrooms</li> <li>• Assembly rooms</li> <li>• Churches</li> </ul>	Every 8-10 years
Class 2 Moderately Clean Air	<ul style="list-style-type: none"> <li>• Restrooms</li> <li>• Swimming pools</li> <li>• Dining rooms</li> <li>• Locker rooms</li> <li>• Warehouse</li> <li>• Dorms</li> </ul>	Every 4-6 years
Class 3 Dirty Air	<ul style="list-style-type: none"> <li>• Kitchens</li> <li>• Dry cleaners</li> <li>• Beauty salons</li> <li>• Laboratories</li> <li>• Pet shops</li> </ul>	Every 1-2 years
Class 4 Contaminated Air	<ul style="list-style-type: none"> <li>• Paint spray booths</li> <li>• Laboratory fume exhaust</li> <li>• Kitchen grease exhaust</li> </ul>	Do not use in this application

The energy recovery wheel is “self-cleaning” with respect to dry particles due to its laminar flow characteristics. Smaller particles pass through; larger particles land on the surface and are blown clear as the flow direction is reversed. Any material that builds up on the face of the wheel can be removed with a brush or vacuum. The primary need for cleaning is to remove oil based aerosols that have condensed on energy transfer surfaces.

A characteristic of all dry desiccants, such films can close off micron sized pores at the surface of the desiccant material, reducing the efficiency by which the desiccant can adsorb and desorb moisture and also build up so as to reduce airflow.

In a reasonably clean indoor environment such as a school or office building, measurable reductions of airflow or loss of sensible (temperature) effectiveness may not occur for several years. Measurable changes

in latent energy (water vapor) transfer can occur in shorter periods of time in applications such as moderate occupant smoking or cooking facilities. In applications experiencing unusually high levels of occupant smoking or oil based aerosols such as industrial applications involving the ventilation of machine shop areas for example, annual washing of energy transfer may be necessary to maintain latent transfer efficiency. Proper cleaning of the energy recovery wheel will restore latent effectiveness to near original performance.



Return Air  
Filter

Figure 31 - H3 A or B Cabinet Energy Recovery Wheel  
H3 size A & B return air filters - access through top and bottom of the filter box.



Figure 32 - H3 A or B Cabinet Outside Air Filter Access  
H3 size A & B outside air filters - access through removing the sheet metal piece shown above.

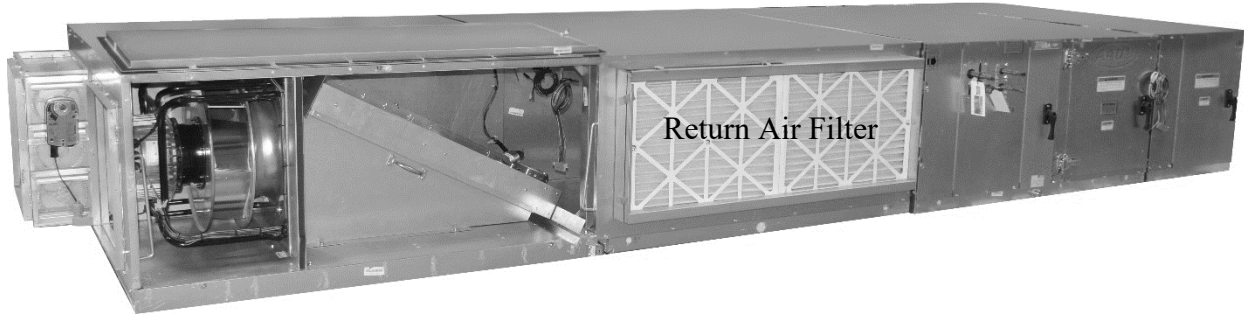


Figure 33 - H3 C Cabinet Energy Recovery Wheel

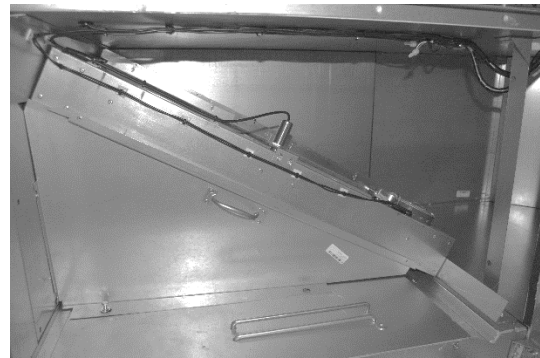
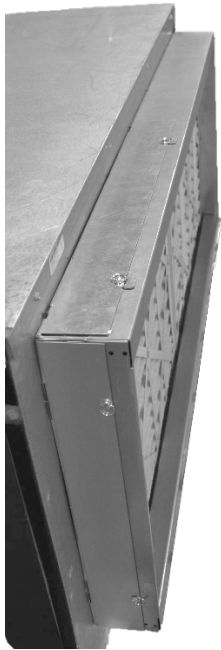


Figure 34 - H3 C Cabinet Outside Air Filter Access

H3 size C outside air filters - access through removing the sheet metal piece shown above, and removing another sheet metal piece once inside.

H3 size C return air filters - access through top and left side of the filter box.

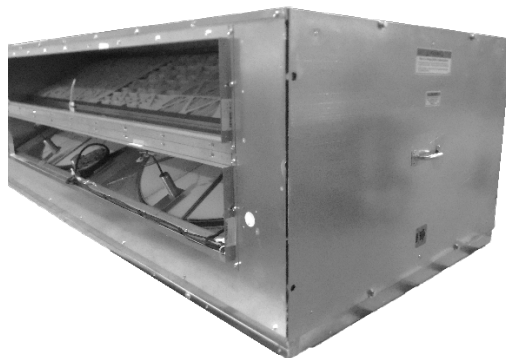


Figure 35 - H3 D or E Cabinet Energy Recovery Wheel

H3 size D or E return air filters & outside air filters - access by removing the energy recovery wheel access panel.

### Gas and Electric Heating

The unit is designed to heat a given amount of air while operating. If this amount of air is greatly reduced, approximately 1/3 during the heating season, the electric heating coil may overheat, and may cut the heater off entirely by action of the safety high temperature limit devices which are factory mounted at the heat exchanger and supply fan areas.

Adjust airflow after installation to obtain an air temperature rise within the range

specified on the unit rating plate at the required external static pressure.

The tested minimum and maximum range of static pressure for the H3 is 0.4 – 7.5 mmHg [0.2 – 4.0 inH2O]. The maximum supply air temperature is 60°C (140°F). The minimum allowable air temperature entering the gas heater is -40 °C (-40°F).

Table 20 - Electric Heating Capacities

	Electric Heat Capacity		Gas Heat Capacity
	kW (230V, 460V)	kW (208V)	MBH
<b>A</b> = Heat A	7.0	5.3	
<b>B</b> = Heat B	14.0	10.5	
<b>C</b> = Heat C	21.0	15.8	
<b>D</b> = Heat D	28.0	21.0	
<b>E</b> = Heat E	35.0	26.3	
<b>F</b> = Heat F	42.0	31.5	
<b>G</b> = Heat G	49.0	37.0	90 MBH
<b>H</b> = Heat H	56.0	42.0	
<b>J</b> = Heat J	63.0	47.3	
<b>K</b> = Heat K	70.0	52.5	135 MBH
<b>L</b> = Heat L	77.0	57.8	
<b>M</b> = Heat M	84.0	63.0	180 MBH
<b>N</b> = Heat N			225 MBH

## Gas Heating

### **WARNING**

#### **FOR YOUR SAFETY**

Read the entire gas heating installation section of this manual before beginning installation of the gas heating section.

If you do not follow these instructions exactly, a fire or explosion may result causing property damage, personal injury, or loss of life.

#### *Unit Location and Clearances*

1. Be sure unit is located with respect to building construction and other equipment to provide ready access and clearance to access panels or doors that must be opened to permit adjustment and servicing of the heating module.
2. The heating unit provided is listed for installation on the positive side of the circulating air blower only.
3. Locate unit to insure an adequate supply of fresh air to replace air used in the combustion and ventilation process.
4. Do not install exhaust vent where flue products can be drawn into adjacent building openings such as windows, doors, or fresh air intakes. Minimize the number of elbows or turns in vent pipe.
5. Do not install unit where it may be exposed to potentially explosive or flammable vapors.
6. Do not locate unit in areas where corrosive vapors (such as chlorinated, halogenated, or acidic) are present in the atmosphere or can

be mixed with combustion air entering heater.

#### *Condensate Drain Piping*

Unit may be equipped with a high efficiency gas heater which requires a condensate drain system.

The condensate drain system must include a trap for proper system performance. All joints must be watertight to prevent leakage. Heat exchanger assembly includes 3/4" PVC condensate connection on the front of the gas heater section. See Figure 2.

A male threaded PVC adapter is included in the waterless valve trap kit to make all necessary waterless valve/trap connections.



Figure 36 - Waterless Valve

Glue the necessary PVC pipe and fittings to connect condensate piping to a suitable drain. Be sure to apply sealant to threads to prevent leakage. Installation of a union ahead of the trap is preferred to permit maintenance of drains and accommodate servicing of the heater.

**Traps must be installed in the vertical position only**, never install horizontally. See instructions provided with trap. **Never connect condensate drain directly into a sewer line.** If connection to a sewer is permitted by code, drain line must terminate in an open sewer tap (separated by an air gap).

Where condensate drains are located outside a heated space or in a space where

temperatures may fall below freezing, the **drain line must be freeze protected.**

The drains must be extended through the heater base and into the heated space below to prevent freezing of condensate in the drain piping. Trap must be located in a heated space or protected to avoid freezing.

Where condensate drains are located outside a heated space or in a space where temperatures may fall below freezing, the drain line must be protected. Use a 2.5 to 5 watt per foot (0.003 to 0.005 kW per meter) at 115 VAC, 40 °F (4.4 °C) self-regulating, shielded and waterproof heat tape. Wrap the drain trap and drain line with heat tape and secure with ties.

For installations where the building drain lines are above the level of the furnace drain system, a condensate pump is required.

#### *Condensate Neutralization*

Some municipalities require that the acidic condensate produced be neutralized before being discharged into a sewer or drain.

A field provided and installed condensate neutralizer kit may be necessary. Where condensate drains and/or neutralization kit(s) are located outside a heated space or in a space where temperatures may fall below freezing, all components and drain lines must be freeze protected.

An overflow bypass drain line must be installed.



Figure 37 - Condensate Neutralizer Kit

When connecting drain line(s) to building drain, an air gap must be present for proper operation of the condensate disposal system. Inspect and monitor effectiveness of neutralization media within cartridge. Replace or refill as necessary.

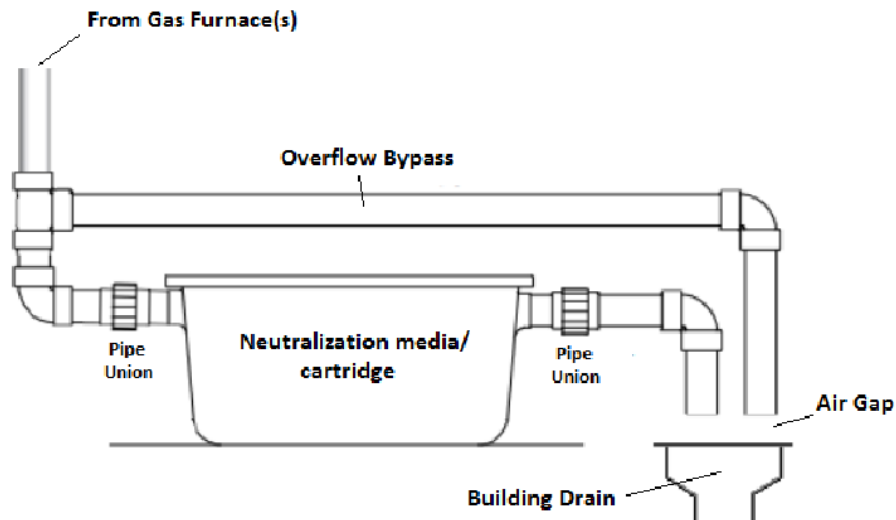



Figure 38 - Neutralizer Kit Assembly (field provided & installed)

### *General Venting*

Safe operation of indirect-fired gas furnaces requires a properly operating vent system which exhausts all the products of combustion (flue gases) to the outside atmosphere.

Venting must be in accordance with local codes and section 5.3 of the National Fuel Gas Code NFPA54 / ANSI Z223.1 in the United States or sections 7.2, 7.3, or 7.4 of CAN/CSA B149.1 Natural and Propane Installation Code in Canada. Local requirements typically supersede national requirements.

 <b>WARNING</b>
<b>FURNACE VENTING</b>
Failure to provide proper venting affects furnace performance and may result in a health hazard which could cause serious personal injury or death.

H3 furnaces are listed as IV heaters. Category IV furnaces operate with a positive vent pressure and vent gas temperatures typically less than 150 °F. The venting system must be gas tight and water tight. Proper installation of the vent system must also assure drainage of condensate to prevent deterioration of the vent system.

The vent piping must be exclusive to a single furnace. Do not use dampers in vent pipes. All pipe openings external to building must have a protective screen installed.

Exhaust vent ducting must NOT be joined (no common flue).

Vent pipe used for this furnace may be Schedule 40 PVC pipe or vent pipe listed to UL 1738 or ULC S636. All field installed vent pipe and fittings must be from the same manufacturer. DO NOT intermix vent system parts from different vent manufacturers. All furnaces include a vent connector/ couplings for attachments of the vent pipe. Minimum length before any turns in pipe is 12". In Canada, the PVC vent pipe must be approved to ULC S636.

To ensure that piping is leak free after installation, PVC sections must be solvent welded (glued) consistent with industry standards and applicable local codes. Primer and cement for joints must conform to applicable ASTM standards.

The vent and combustion air piping must be properly supported. A 10ft. long section of schedule 40 PVC pipe weighs approximately 14 lbs for 3 in. diameter and 20 lbs. for 4 in. diameter. Horizontal sections must be installed with an upward pitch of not less than ¼ in./ft. (21 mm/m) and securely supported every 3ft. For suspended support, use cradle type hangers to allow for expansion and contraction.

When vent pipe is run through unheated spaces where temperatures may be below freezing, insulate the pipe using ½ inch (22.7mm) thick Armaflex-type insulation or install a thermostatically controlled heat tape.

Gas furnaces feature high efficiency operation and produce condensate during operation. In locations where the outside air temperature is below freezing, icicles may form on vent terminations from the condensate formed in the vent system.



**! WARNING**

**VENT TERMINATION**

In locations where the outside temperature falls below freezing, icicles may form on vent terminations due to condensate in the vent system. Locate vent termination where a falling icicle would not be a hazard.

**! WARNING**

**VENT TERMINATION**

Vent terminals must be positioned and located away from fresh air intakes, doors, and windows to minimize the possibility of products of combustion from entering occupied space.

*Open Combustion Venting*

An open combustion gas heater draws combustion air from the space surrounding the heating unit. Louvered combustion air openings are provided in the access panel to the burner vestibule area. Installation must be in an unconfined space with sufficient volume for all appliances located in the space.

A single, properly sized pipe from the furnace vent connector to the outdoors must be provided.

Vent pipe diameter and maximum vent length are determined by furnace input rating as shown in Table 13. Flue gases must be directed downward.

Table 21 - Open Combustion Venting

Input (MBH)	Flue Vent Pipe		Max Vent Length
	OD	Material	
90	3"	PVC	70'
135	3"		
180	4"		
225	4"		

**Note:** The maximum vent length is the equivalent linear length of pipe. The equivalent length for 3" and 4" elbows is 6'.

Terminate vertical vents as shown in Figure 45. Maintain proper spacing between adjacent buildings and walls. The vent shall not terminate over public walkways, near soffit vents or crawl space vents or other areas where condensate vapor could create a nuisance or hazard or cause property damage; or where condensate vapor could cause damage or could be detrimental to the operation of regulators, relief valves, or other equipment.

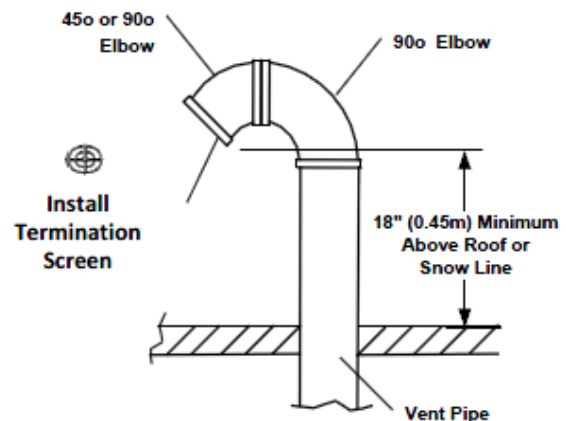


Figure 39 - Open Combustion Venting

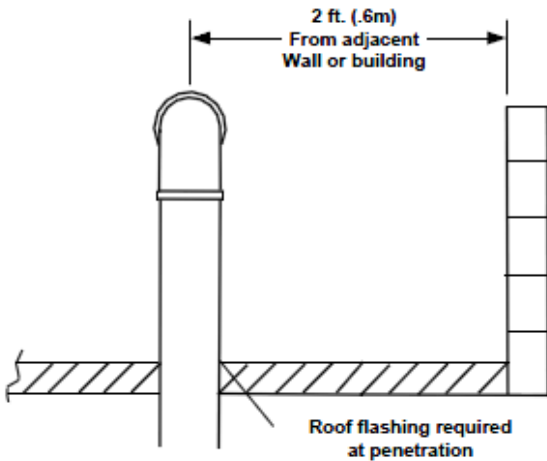


Figure 40 - Open Combustion Venting

*Separated Combustion Venting*

A separated combustion gas heater requires a two (2) pipe separated combustion vent system with separate air intake and vent. Combustion air is supplied from outdoors into the furnace burner compartment through a single properly sized pipe attached to the air intake collar. These furnaces are Category IV vented appliances. Vent piping must be gas tight and water tight. Both the furnace and vent system must be connected to a condensate removal system.

Table 22 - Separated Combustion Venting

Input (MBH)	Combustion Air Vent		Flue Vent Pipe		Max Vent Pipe Length
	Diameter (OD)	Material	Diameter (OD)	Material	
90	3"	PVC	3"	PVC	35'
135	3"		3"		
180	4"		4"		
225	4"		4"		

**Note:** The maximum vent length is the equivalent linear length of total pipe including any elbows and fittings. The equivalent length for 3" and 4" elbows is 6'. Combustion air pipe must be approximately the same length as the vent pipe. Minimum length before any turns in pipe is 12".

The heating unit must include the following:

- 1.) For vent pipe and fittings conveying flue gases, use only Category IV vent materials listed to UL1738 / ULC S636 from same vent manufacturer. DO NOT intermix vent system parts from different vent manufacturers. Follow instruction provided with approved venting materials used.
- 2.) For combustion air piping, use PVC and glue joints.
- 3.) Vent pipe and air inlet pipe size depends on input rating of the furnace. Minimum vent length is 5 ft.
- 4.) The inlet and outlet terminals must be located in the same pressure zone to provide for safe appliance operation.

The venting and combustion air supply must be exclusive to a single furnace. Separated combustion systems may not be common vented. Do not use dampers in vent or combustion air pipes.

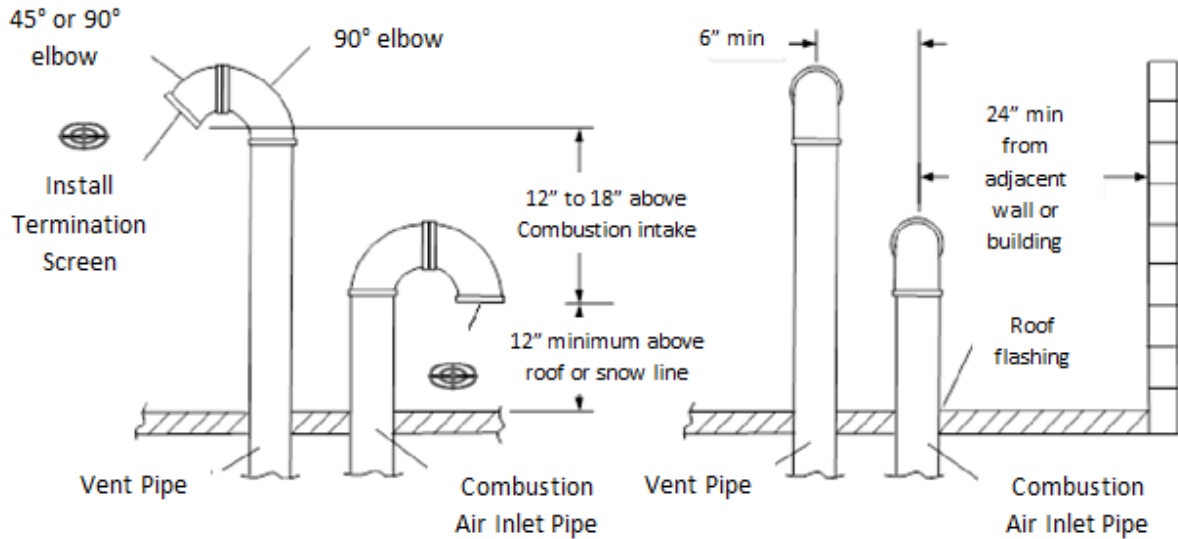


Figure 41 - Separated Combustion Venting


All furnaces have vent connector couplings for attachment of the vent pipe. Slide pipe through side opening and into coupling. Tighten pipe clamp to secure vent pipe. Minimum length before any turns in pipe is 12”.

The vent and combustion air piping must be properly supported. Horizontal sections must be installed with an upward pitch of not less than ¼ in./ft. (21 mm/m) toward the termination and securely supported every 3ft.

Vent pipe runs through unheated spaces must be insulated.

The vent drip leg must use reducers from the outlet to the drain connection to meet requirements for Canadian installations (OLC S636). This method is also acceptable in the US.

*Gas Supply, Piping and Connections*

 <b>DANGER</b>
<p>The gas pipe in the unit shall be checked for leaks before operation and startup. Unit must not be placed in operation until a leak check has been conducted for all gas piping connections. All connections shall be checked for leaks annually after installation. Gas leaks could result in fire, explosion, or other hazardous situations.</p>

Gas piping must be installed in accordance with local codes, or in the absence of local code, installation must conform to the current (United States) National Fuel Gas Code ANSI-Z223.1/NFPA 54 or the current (Canada) National Fuel & Propane Installation Code CSA B149.1 or B149.2.

1. Gas piping must be sized for the total Btu input of all units (heaters) serviced by a single supply. Individual heat module gas supply pipe connection size is 3/4" NPT. Do not use smaller than 3/4" NPT to the furnace.

2. Ensure that gas regulators servicing more than one heater have the proper pipe and internal orifice size for the total input of all heaters serviced by the regulator.

3. Natural Gas furnaces require a **minimum** inlet gas pressure of **5.0" w.c.** and limited to a **maximum** inlet gas pressure of **14.0" w.c.** with the furnace operating.

Table 23 - Gas Inlet Pressure

Gas Inlet Pressures ("wc)	Natural Gas	Propane Gas (LP)
Minimum (90-225 MBH)	5.0"wc	11.0"wc
Maximum	14.0"wc	14.0"wc

4. A 1/8" NPT tap is provided on the inlet side of the gas valve to the heater. A fitting suitable for connection to a pressure gauge capable of measuring gas pressure must be connected to each heater serviced by a single regulator so that gas pressure at each heater can be measured with all heaters in operation.

5. A drip leg (sediment trap) and a manual shut off valve must be provided immediately upstream of the gas control on the heating unit. To facilitate servicing of unit, installation of a union is recommended.

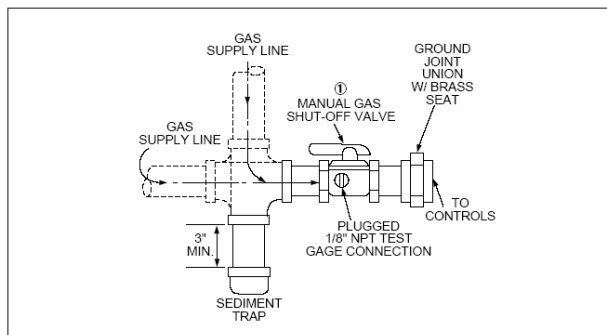


Figure 42 - Sediment Trap for Gas Heat

6. Use a back up wrench on the gas valve when connecting field supply gas piping to avoid loosening pre-piped furnace gas connections during installation.

*Piping Supports*

Gas supply piping must be supported directly at the connection to the unit and at intervals listed in the following table with metal straps, blocks, or hooks. Piping must not be strained or bent.

Table 24 – Gas Piping Supports (Metric)

Pipe Size (mm)	Support Intervals
12.7 to 19.1	Every 1.8 m
19.1 to 25.4	Every 2.4 m
44.5 or Larger (Horizontal)	Every 3 m
31.8 or Larger	Every Floor

Table 25 - Gas Piping Supports (Imperial)

Pipe Size	Support Intervals
1/2" to 3/4"	Every 6 ft
3/4" to 1"	Every 8 ft
1-3/4" or Larger (Horizontal)	Every 10 ft
1-1/4" or Larger (Vertical)	Every Floor

*Input*

The correct heat capacity of the furnace is controlled by the burner orifices and the gas manifold pressure. The manifold pressure is factory set but must be checked at the time of start-up.

**! WARNING**

**FIRE OR EXPLOSION HAZARD**

Failure to follow the safety warnings exactly could result in serious injury, death or property damage.

Never test for gas leaks with an open flame. Use a commercially available soap solution made specifically for the detection of leaks to check all connections. A fire or explosion may result causing property damage, personal injury or loss of life.

**! WARNING**

Gas pressure to appliance controls must never exceed 14" w.c. (1/2 psi)

1. When pressure testing at 1/2 psi or less, close the manual shutoff valve on the appliance before testing.

2. When pressure testing gas supply line at 1/2 psi or higher, close manual gas valve and disconnect heater from supply line to be tested. Cap or plug the supply line.

*Leak Testing*

All components of gas supply system, including manual shut off valves and the piping in the interior of the unit, must be leak tested with a soap solution before operating the appliance and at least on an annual basis thereafter.

**! DANGER**

**LEAK CHECK GAS PIPE**

The gas pipe in the unit shall be checked for leaks before operation and startup. Unit must not be placed in operation until a leak check has been conducted for all gas piping connections. All connections shall be checked for leaks annually after installation. Gas leaks could result in fire, explosion, or other hazardous situations.

**! CAUTION**

Some soaps used for leak detection can be corrosive to certain metals. Rinse piping thoroughly after leak test has been completed.

### *Gas Heater Startup*

1. Turn thermostat or temperature controller to its lowest setting.
2. Turn off gas supply at the manual shut-off valve (supplied by others).
3. Turn off power to the unit at the disconnect switch.
4. This appliance is equipped with an ignition device which automatically lights the burner. Do NOT try to light the burner by hand.
5. Open door to unit module housing the gas heater.
6. Move gas control switch to “OFF” position.

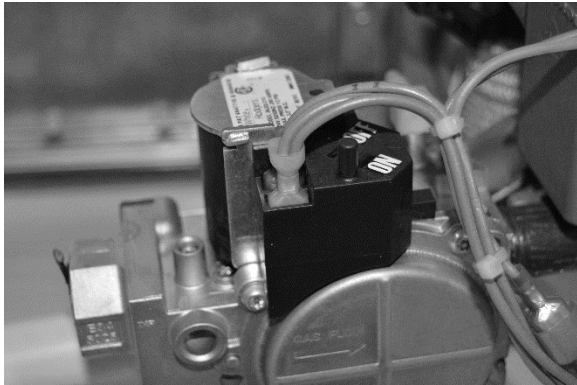


Figure 43 - Gas Control Switch

7. Install a tapped fitting for attachment to a manometer or other gauge suitable for 14.0” w.c. in the inlet pressure tap, and for 10.0” w.c. in the manifold pressure tap.
8. Wait 5 minutes for any gas to clear out. If you smell gas, turn off gas supply at the manual shut-off valve (field installed). If you don’t smell gas or have corrected any leaks, go to the next step.
9. Turn gas control switch to “ON” position.
10. Close door to unit module housing the gas heater.

11. Open all manual gas valves (supplied by others).
12. Turn power on at disconnect switch.
13. Set thermostat or controller to its highest position to initiate call for heat and maintain operation of unit.
14. Draft inducer will run for a 15 to 30 second pre-purge period.
15. At the end of the pre-purge the direct spark will be energized and gas valve will open.
16. Burners ignite.
17. Inlet gas pressure must be between 5.0” and 14.0”wc on Natural Gas (11.0” to 14.0”wc on Propane). Adjust supply regulator if necessary or contact utility if unable to obtain proper inlet pressure.
18. At burner ignition, manifold pressure will be 1.0” to 1.2” w.c. Furnace will continue at this input rating for 90 seconds.
19. All control systems require a manifold pressure of 3.40 to 3.50 in. w.c. at maximum input (high fire) on Natural Gas, and 9.50 in. w.c. on Propane Gas.
20. For modulating control applications, verify proper low fire adjustments.

### *Check and Adjust Manifold Pressure*

For 2 stage (TS) and modulating control (MD) systems manifold pressure must be 1.2” w.c. Adjust Lo Regulator on 2 stage gas valve, if necessary. The controls are design to hold operation at this pressure for 2 minutes. After that time manifold pressure must increase to 3.5” w.c.(10.0”wc for LP gas) within 30 to 45 seconds.

For On/Off units the manifold pressure must be 3.5” w.c (10.0”wc for LP gas).

### *Failure to Ignite*

1. For the initial start-up, or after unit has been off long periods of time, the first ignition trial may be unsuccessful due to need to purge air from manifold at start-up.

2. If ignition does not occur on the first trial, the gas and spark are shut-off by the ignition control and the control enters an inter-purge period of 15 to 90 seconds, during which the draft inducer continues to run.

3. At the end of the inter-purge period, another trial for ignition will be initiated.

4. Control will initiate up to three ignition trials on a call for heat before lockout of control occurs.

5. Control can be brought out of lockout by turning thermostat or controller to its lowest position and waiting 5 seconds and then turning back up to call for heat. Some controls provided will automatically reset after one hour and initiate a call for heat.

### *Burner Flames*

Prior to completing the start-up, check the appearance of the main burner flame for flame characteristics of properly adjusted natural gas systems.

1. The burner flame must be predominately blue in color and well defined and centered at the tube entry. Distorted flame or yellow tipping of natural gas flame, or a long yellow flame on propane, may be caused by lint and dirt accumulation inside burner or at burner ports, at air inlet between burner and manifold pipe, or debris in the main burner orifice. Soft brush or vacuum clean affected areas after performing Shutdown procedure.

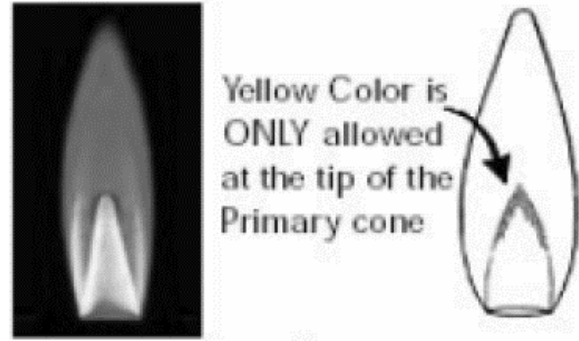


Figure 44 - Natural Gas Flame

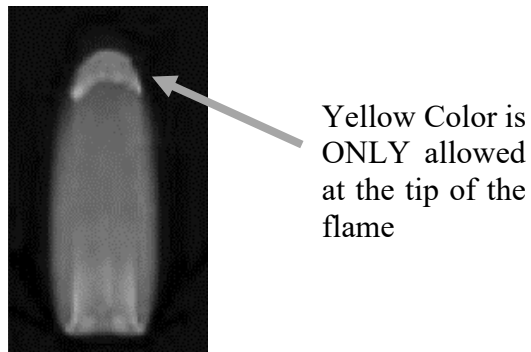


Figure 45 - Propane Gas Flame

2. Poorly defined, substantially yellow flames, or flames that appear lazy, indicate poor air supply to burners or excessive burner input. Verify gas supply type and manifold pressure with rating plate.

3. Poor air supply can be caused by obstructions or blockage in heat exchanger tubes or vent discharge pipe. Inspect and clean as necessary by to eliminate blockage. Vacuum any dirt or loose debris found in the tubes or vents. Clean heat exchanger tubes with stiff brush after performing Shutdown procedure. Poor flame characteristics can also be caused by undersized combustion air openings or flue gas recirculation into combustion air supply. Increase air opening size or re-direct flue products to prevent recirculation.

4. Reduced air delivery can also be the result of fan blade slippage, dirt accumulation the fan blade or low voltage to draft inducer motor. Inspect draft fan assembly and be sure

fan blade is secure to motor shaft. Check line voltage to heater.

**! WARNING**

Do not store or use gasoline or other flammable vapors and liquids in the vicinity of this or any other appliance.

*Gas Heater Operation*

1. This furnace does not have a pilot. It is equipped with a direct spark ignition device that automatically lights the gas burner. DO NOT try to light burners by hand.

2. BEFORE OPERATING, leak test all gas piping up to heater gas valve. Smell around the unit area for gas. DO NOT attempt to place heater in operation until source of gas leak is identified and corrected.

3. Use only hand force to push and turn the gas control switch to the “ON” position. NEVER use tools. If switch does not operate by hand, replace gas valve prior to starting the unit. Forcing or attempting to repair the gas valve may result in fire or explosion.

4. Do not attempt to operate unit if there is indication that any part or control has been under water. Any control or component that has been under water must be replaced prior to trying to start the unit.

Table 26 - Gas Heat Ignition Times

	Time
Pre-Purge	15 sec
Inter-Purge	15 sec
Ignition Trial	10 sec
Post Purge	30 sec
Lockout Recovery	60 min

**! WARNING**

Do not store or use gasoline or other flammable vapors and liquids in the vicinity of this or any other appliance.

*Shutdown*

1. Set thermostat or controller to lowest setting.
2. Turn off electrical supply to unit at disconnect switch.
3. Turn off manual gas supply (supplied by others).
4. Disconnect manifold and inlet pressure taps and re-install pipe plugs.
5. Close module door.

*Normal Operation*

1. Turn on electrical supply to unit at disconnect switch.
2. Turn on manual gas supply (supplied by others).
3. Set Thermostat or Temperature controller to desired temperature.

*Service Checks*

Flame current is the current which passes through the flame from the sensor to ground. The minimum flame current necessary to keep the system from lockout is 0.7 microamps. To measure flame current, connect an analog DC microammeter to the FC- and FC+ terminals per Figure 51. Meter must read 0.7 uA or higher. If the meter reads below “0” on scale, meter leads are reversed. Disconnect power and reconnect meter leads for proper polarity.



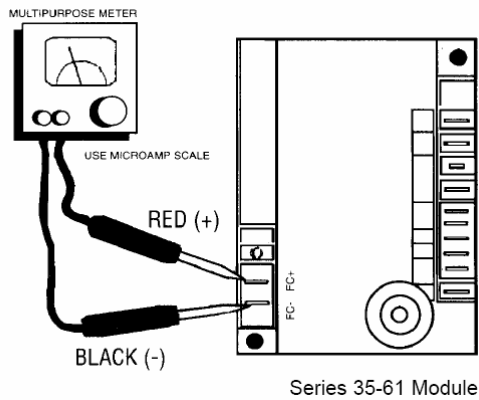


Figure 46 - Flame Sensor Current Check

### Ignition Control Module

The integrated direct spark ignition control provides control of all furnace functions including control of the induced draft fan, gas valve, pre-purge timing, ignition, flame sensing and monitoring of the safety circuit at all times, and post purge at the completion of a heating cycle. The board includes an LED diagnostic light to monitor control status.

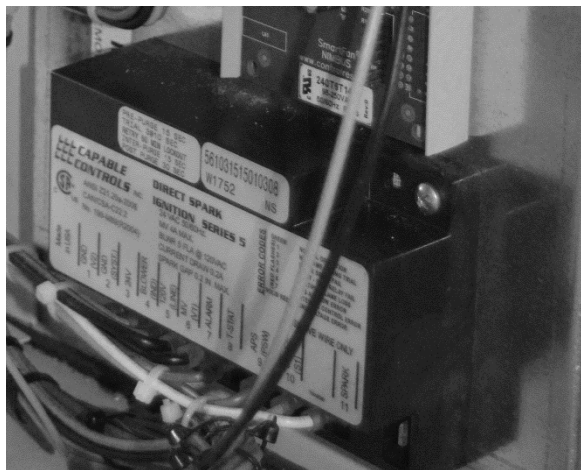


Figure 47 - Ignition Control Module

### Air Pressure Switch

An air pressure switch is provided as part of the control system to verify airflow through draft inducer by monitoring the difference in pressure between the draft inducer and the atmosphere. If sufficient negative pressure is not present, indicating lack of proper air

movement through heat exchanger, the switch opens shutting off gas supply through the ignition control module. On units with two speed draft inducer operation, a dual air pressure switch is used, monitoring high and low speed pressures. The air pressure switches have fixed settings and are not adjustable.

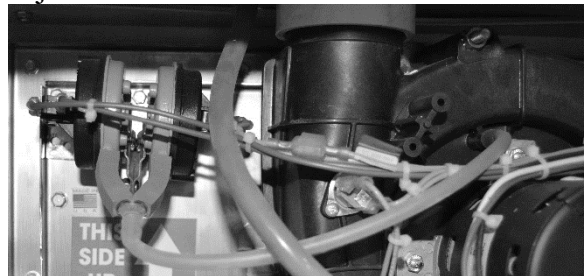


Figure 48 - Air Pressure Switch for two-speed draft inducer

### Rollout Switch (Manual Reset)

The furnace is equipped with manual reset rollout switches in the event of burner overheating. The switch will open on temperature rise and shut-off gas supply through the ignition control module. Flame rollout can be caused by insufficient airflow for the burner firing rate (high gas pressure), blockage of the vent system or in the heat exchanger. Do not place the furnace back in operation until the cause of overheating is identified. The rollout switch can be reset by pressing the button on the top of the switch.

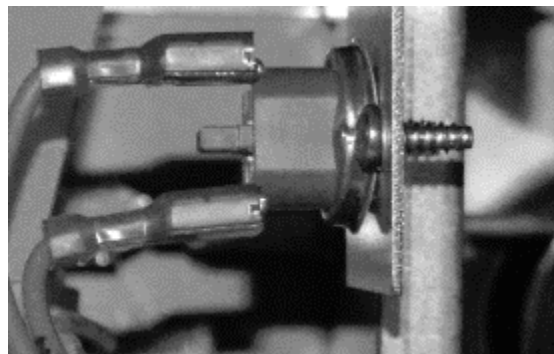


Figure 49 - Rollout Switch

### *High Limit Switch*

Two high limit switches are provided on all furnace configurations.

One limit control is mounted in the air stream and will shut-off the gas supply in the event of overheating due to reduced airflow over the heat exchanger. This limit is an automatic reset type and will cycle the burners back on when the temperature drops below the preset differential. The furnace will continue to cycle on limit until the cause of the reduced air flow is corrected.

The other limit control is mounted on the induced draft fan housing and will shut-off the gas supply in the event of excessive flue gas temperatures. This switch is an automatic reset type.

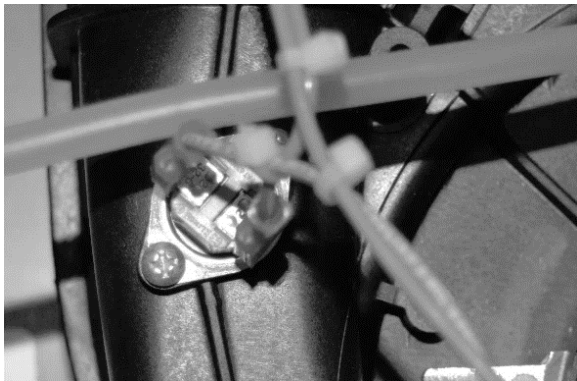


Figure 50 - High Limit Switch on Fan Housing

### *Condensate Drain Overflow Switch*

This switch is mounted on the flue collector box and shuts down the furnace if condensate level in collector box increases indicating condensate is not draining properly.



Figure 51 - Condensate Drain Overflow Switch

### *Operating Control Systems*

Two Stage (TN) - Low / High Fire / High Speed Inducer Only

Modulating (MD) - Modulating (25 to 100%) / 2 Speed Draft Inducer - Mid-Fire Start (55%)

Modulating (MH) - Modulating (25 to 100%) / 2 Speed Draft Inducer - High Fire Start (100%)

Refer to unit wiring diagrams located in unit door.

Table 27 - Gas Heater LED Diagnostic

LED Color	LED Code	Operation	Description	Error Type
<b>Green</b>	½ sec on, ½ sec off	Normal	Pre-purge, Inter-purge, Post-purge	N/A
	Blinking rapidly		Trial for ignition	
	On solid		Flame detected, pilot/main burners on	
<b>Red</b>	1 flash, then pause	Error	No flame in trial time	Lockout
	2 flash, then pause		Flame sense stuck on	
	3 flash, then pause		Pilot/Main relay failure	
	4 flash, then pause		Repetitive flame loss error	
	5 flash, then pause		Rollout error	
	6 flash, then pause		APS Airflow error	
	7 flash, then pause		Internal control error	
	On solid	Line Voltage/Frequency Error	Standby	

Table 28 - Gas Heater Troubleshooting Guide

Symptom	Possible Causes
Control does not power up	A. Faulty 24VAC or 120VAC wiring B. Thermostat or transformer C. Bad control module
Module LED blinks red	A. Determine error code and refer to error codes in Table 18
Spark no occurring during trial for ignition	A. Faulty spark electrode wiring B. Spark gap too wide C. Bad control module
Burner does not light during trial for ignition	A. Faulty valve wiring B. Bad valve C. Control module not sparking
Burner lights but valve turns off after trial for ignition	A. Poor flame B. Flame not in contact with spark electrode or sensor C. Dirty contaminated flame sensor D. Faulty flame sensor wiring E. Poor ground at burner

## Gas Heater Maintenance

### **WARNING**

Improper installation, adjustment, alteration, service or maintenance can cause property damage, personal injury or loss of life. Startup and service must be performed by a Factory Trained Service Technician. A copy of this IOM must be kept with the unit.

### **WARNING**

Disconnect all electrical power sources before servicing the unit. More than one power source may be provided. Failure to do so may result in injury or death from electrical shock or entanglement in moving parts.

### **CAUTION**

If any original wiring needs to be replaced it must be replaced with wiring materials suitable for 105°C.

Label all wires prior to disconnection when servicing unit. Wiring errors can cause improper or dangerous operation. Verify proper operation after servicing.

### *Condensate Drainage System Inspection*

1. Inspect condensate drain lines to be sure they are free of debris and free flowing.
2. Inspect all condensate lines for freezing and verify operation of freeze protection (heat trace tape).

3. Inspect float switch reservoir for ice accumulation and check float switch operation.

4. Inspect and clean out all waterless p-traps of condensate/ mildew buildup. Verify correct operation of float and spring.

5. Inspect and replace the condensate neutralizer cartridge if necessary.

### *Furnace Exhaust Vent Termination*

1. Inspect all flue exhaust vent terminations/outlets. Remove any ice accumulation. Ice accumulation can affect performance and operation of the furnace.

2. Inspect the roof floor in front and/or below any flue exhaust termination and furnace access door. Remove any ice accumulation.

### *Furnace Inspection*

**Turn off all electrical power to the unit before inspection and servicing.**

1. The furnace must be inspected annually by a qualified service agency. The condition of the burners, heat exchanger, draft inducer, vent system, operating controls and wiring must be determined. Check for obvious signs of deterioration, accumulation of dirt and debris and any heat or water related damage. Any damaged or deteriorated parts must be replaced before the unit is put back into service.

2. Clean burners, heat exchanger, draft inducer and vent ducts with a soft brush or vacuum.

3. Check Heat Exchanger for cracks. If any are present, replace heat exchanger before putting unit back into service.

4. Check the attachment point of the furnace to the cabinet or ducts to verify that they are air tight.

5. Check the automatic gas valve to insure that the gas valve seat is not leaking.
6. Inspect and clean condensate drain trap(s).
7. Check condensate drain switch for cleanliness and proper function.
8. If condensate neutralizer tube is installed, recharge per instructions.
9. Inspect and clean secondary coil fins.
10. Check wiring connections to be sure they are secure and inspect wiring for any deterioration.
11. Label all wires prior to disconnection when servicing unit. Wiring errors can cause improper or dangerous operation. Verify proper operation after servicing.

#### *Furnace Operation Check*

1. Turn on power to the unit and set thermostat or heat controller to call for heat, allowing furnace to operate.
2. Check for proper start-up and ignition as outlined in Start-Up section.
3. Check the appearance of the burner flame.
4. Check that the circulating air fan is operating and verify the proper airflow through furnace.
5. Verify proper flow of condensate from drain system.
6. Return thermostat or heat controller to normal setting.

## Phase and Brownout Protection Module



The DPM is a Digital Phase Monitor that monitors line voltages from 200VAC to 240VAC 1 $\phi$  and 200VAC to 600VAC 3 $\phi$ . The DPM is 50/60 Hz self-sensing. DPM must be wired according to unit specific wiring diagram include in the control compartment

When the DPM is connected to the line voltage, it will monitor the line and if everything is within the setup parameters, the output contacts will be activated. If the line voltages fall outside the setup parameters, the output relay will be de-energized after the trip delay.

Once the line voltages recover, the DPM will re-energize the output relay after the restart time delay. All settings and the last 4 faults are retained, even if there is a complete loss of power.

## **DPM Setup Procedure**

With the supply voltage active to the module, you can setup all of the DPM's settings without the line voltage connected.

To change the setpoint parameters use the right arrow key to advance forward through the setpoint parameters and the left arrow to backup if needed. When each parameter is displayed use the up/down keys to change and set the parameter.

After adjustments are made or if no adjustments are made it will take 2 to 4 minutes before the DPM energizes the output relay unless there is an out of tolerance issue with the incoming line voltage.

### **Default Set-up**

Line Voltage	460VAC, 3Ø
Over & Undervoltage	±10%
Trip Time Delay	5 Seconds
Re-Start Time Delay	2 Minutes
Phase Imbalance	5%

## Screens

### Manufacturer's Screen

R-K Electronics  
DPM v0.0.00

### Average Voltage Screen

VAvg	Imb	Hz	
460	0	60	off

**Default – the default screen shows the real time voltage detected in each of the 3 phases:**

A-B	B-C	C-A	
460	459	461	ON

### Voltage Selection Screen (Vertical Format) Default = 460V, 3Ø

200, 1Ø; 208, 1Ø; 220, 1Ø; 230, 1Ø; 240, 1Ø;  
200, 3Ø; 208, 3Ø; 220, 3Ø; 230, 3Ø; 240, 3Ø; 380, 3Ø; 415, 3Ø; 440, 3Ø;  
460, 3Ø; 480 3Ø; 575, 3Ø; 600, 3Ø;

### Over/Under voltage Percentage Screen (Vertical Format) Default = 10%

7% 8% 9% 10% 11% 12% 13% 14% & 15%

### Trip Time Delay Screen (Vertical Format) Default = 5 sec

2S, 3S, 4S, 5S, 6S, 27S, 8S, 9S & 10S

### Re-Start Time Delay Screen (Vertical Format) Default = 2 sec

Manual, 2S, 3S, 4S, 5S, 6S, 7S, 8S, 9S, 10S, 30S, 1M, 2M, 3M & 4M

### Phase Imbalance Percentage Screen (Vertical Format) Default = 5%

3% 4% 5% 6% 7% 8% 9% & 10%

### Fault Screen (Vertical Format)


“0” most recent faults, “1” previous fault “2” third oldest fault & “3” fourth oldest fault.

### Fault Words:

“Phase a Loss”	(There is no voltage sensed on 3-L1/S)
“Voltage Low”	(Average line voltage is less than selected Undervoltage Percentage)
“Voltage High”	(Average line voltage is more than selected Overvoltage Percentage)
“Imbalance”	(One phase is lower than the average voltage by more than the Imbalance percentage)
“Phase Loss	(One phase is more than 30% below the Line Voltage selection)
“Bad Rotation”	(The phase rotation sequence is reversed)
“Bad Freq”	(Line frequency out of allowable range of 45 to 65 Hz)

### Filter Replacement

Monthly filter inspection is required to maintain optimum unit efficiency.

 **WARNING**

Electric shock hazard. Shut off all electrical power to the unit to avoid shock hazard or injury from rotating parts.

It is strongly recommended that filter media be replaced monthly. Filters are located upstream of the evaporator coil. Open access panel and pull filters straight out to inspect all of the filters. Replace filters with the size indicated on each filter. Arrow on the replacement filters must point towards the blower. Units with an energy recovery wheel with have additional filters. See the Filter replacement section under the energy recover wheel section for more information.

### UV Lights

Some units include UV lights for airstream disinfection. The UV fixture is installed directly downstream of cooling coil. Door interlock switches are provided with this option. UV lamps ship loose in the vestibule and require installation during startup.

Useful lamp life shall be 9000 hours (minimum) with no more than a 15% output loss at the end of the lamps life. Use AAON Part # R68850 (H3 C), R68860 (H3 C – E) for lamp replacement.

### Replacement Parts

Parts for AAON equipment may be obtained from your local representative <https://www.aaon.com/find-a-rep>. When ordering parts, reference the unit serial number and part number.

### AAON

#### Warranty, Service and Parts Department

203 Gum Springs Rd.


Longview, TX 75602

Ph: (918) 382-6450

techsupport@AAON.com

www.AAON.com

**Note:** Before calling, technician must have model and serial number of the unit available for the service department to help answer questions regarding the unit.

 **WARNING**

**UV LIGHTS**

Never expose eyes or skin to UVC light from any source, as personal injury may result. Wear gloves, face shield/glasses (per ANSI Z87.1) and cover all exposed skin.



## **Decommissioning**

Before decommissioning unit, ensure you are familiar with the unit and its operation. Only individuals qualified for handling refrigerant may remove charge from the unit. Unit must be isolated electrically before beginning any decommissioning work. Proper PPE is required

Ensure any equipment that may be needed for handling refrigerant cylinders safely is available. Equipment and cylinders used for recovery must be in good working order and comply with appropriate standards.

Remove refrigerant from all parts of the refrigeration system. On heat pumps, refrigerant must be recovered from discharge, suction and common liquid lines.

Weigh out refrigerant when removing to ensure that all refrigerant is removed and cylinders are not overfilled. Place refrigerant cylinder on scales before beginning recovery process. Do not exceed maximum pressure of cylinder.

When recovery is completed, remove all cylinders containing recovered refrigerant from the site. Ensure all isolation valves on equipment are closed and all warning decals are still visible on unit.

**Warranty:** Refer to the Limited Warranty Certificate for the unit warranty details. Contact your AAON representative for a unit specific copy of the certificate for your serial number.



## Limited Warranty Certificate

### GENERAL CONDITIONS

AAON Coil Products, Inc. (hereinafter referred to as "ACP") warrants this ACP equipment, as identified hereon, to be free of defects in material and workmanship under normal use, service, and maintenance. Our obligations under this warranty must be limited to repairing or replacing the defective part, or parts, which in our judgment show evidence of such defects. ACP is not liable for labor charges and other costs incurred for removing, shipping, handling or transporting defective part, or parts, or for shipping, handling, transporting, or installing repaired or replacement part, or parts.

The limited warranty is effective one (1) year from date of **original installation**, or eighteen (18) months from date of original shipment from the factory, whichever occurs first and covers all parts and components in this ACP equipment excluding air filters, belts, refrigerant moisture driers, and lost refrigerant, which are not included in any part of this limited warranty. The replacement part, or parts, assume only the unused portion of the original limited warranty and are shipped f.o.b. from the factory and freight prepaid by the factory.

The limited warranty is effective for products manufactured at the Tulsa, Oklahoma or Longview, Texas facility.

THIS LIMITED WARRANTY ONLY APPLIES WHEN THE **ORIGINAL MODEL NUMBER AND SERIAL NUMBER** OF THE ACP UNIT ARE GIVEN AT TIME OF REQUEST FOR REPLACEMENT PART, OR PARTS. DEFECTIVE PART, OR PARTS, MUST BE RETURNED **PREPAID**, WITH ITS ASSIGNED RETURN MATERIAL TAG, WITHIN **FOURTEEN (14) DAYS** OF RECEIPT OF THE REPLACEMENT PART, OR PARTS.

### EXTENDED LIMITED WARRANTY ON COMPRESSORS INCLUDED IN SINGLE PACKAGE EQUIPMENT (NOT INCLUDING CHILLERS); OPTIONAL ON OTHER EQUIPMENT

For the second through the fifth year from date of **shipment**, we further agree to repair or replace the fully hermetic compressor, at our option, for the **original purchase-user only**. The repaired or replacement fully hermetic compressor will be supplied f.o.b. the factory, freight **prepaid and add**, providing the defective fully hermetic compressor is returned **prepaid by the customer**, and is proven to be inoperative due to defects in materials or workmanship. This extended limited warranty covers **only** the fully hermetic compressor and **does not include** any labor charges, or other additional costs incurred for removing, shipping, handling, transporting, or replacing the defective fully hermetic compressor. It also **does not include** additional costs incurred for shipping, handling, or transporting of electric controls such as relays, capacitors, pressure controls, or fan-motor assemblies, condensers, receivers, etc, which carry the standard **one-year limited warranty**.

### EXTENDED LIMITED WARRANTY OF M2/V3/H3 SERIES GAS FIRED HEAT EXCHANGERS

For the second through the tenth year from date of original installation, we further warrant the steel heat exchanger against failure due to defects in materials and workmanship for the original purchaser-user only, in accordance with the following: For the first five (5) years from date of shipment, we agree to repair or replace the heat exchanger, at our option, for the original purchaser-user only; during the sixth year, we will charge 50% of the current trade price for repaired or replacement steel heat exchanger, as the case may be, during the seventh year, 60%, during the eighth year, 70% during the ninth year, 80% and during the tenth year, 90%.

In all cases, the repaired or replacement heat exchanger will be supplied f.o.b. our factory, freight prepaid, providing the defective heat exchanger is returned **prepaid**, and if it is proved to be inoperative due to defects in materials and workmanship. This extended limited warranty covers **only** the heat exchanger and **does not include** labor charges, or other costs incurred for removing, shipping, handling, transporting, or installing repaired replacement heat exchanger. This extend limited warranty **does not apply** where the furnace has been operated in an atmosphere contaminated by chlorine, fluorine, or any other damaging chemical compounds.

### FOR OPTIONAL FIVE YEAR EXTENDED LIMITED WARRANTY OF COIL COATING

For the second through fifth year from date of shipment, we further warrant the coating of e-coated coils on the equipment against failure due to defects in materials and workmanship for the original purchaser-user only. Coil cleaning, maintenance, and record keeping must be followed according to the unit Installation, Operation and Maintenance Manual to maintain warranty.

### OTHER CONDITIONS

This warranty **does not cover** any ACP unit or part thereof which has been subject to accident, negligence, damages in transit, misuse or abuse, **or which has been tampered with or altered in any way**, or which has **not** been installed operated serviced and maintained in accordance with our instructions, or which has been installed outside of the Continental United States or Canada, or on which the serial number or identification number has been altered defaced, or removed. ACP will not be responsible for failure of the unit to start due to voltage conditions, blown fuses, open circuit breakers, or other damages due to the inadequacy or interruption of electric service.

This warranty **does not cover** equipment containing a water-to-refrigerant heat exchanger for any damage resulting from freezing, fouling, corrosion or clogging.

ACP must not be liable for any default or delay in performance hereunder, caused by a contingency beyond its control, including governmental restrictions or restraint, strikes, short or reduced supply of raw materials or parts, floods, winds, fire, lightning strikes, or any other acts of God.



# Limited Warranty Certificate

### DISCLAIMERS OF WARRANTIES

THIS WARRANTY IS EXCLUSIVE AND IS IN LIEU OF ANY WARRANTY OF MERCHANTABILITY, FITNESS FOR A PARTICULAR PURPOSE OR OTHER WARRANTY OF QUALITY, WHETHER EXPRESS OR IMPLIED, EXCEPT OF TITLE AND AGAINST PATENT INFRINGEMENT. CORRECTION OF NON-CONFORMITIES ARE LIMITED TO REPAIR OR REPLACEMENT OF THE DEFECTIVE PART OR PARTS, AT SELLER'S OPTION, WHICH MUST CONSTITUTE FULFILLMENT OF ALL TORT OR OTHERWISE IT IS EXPRESSLY UNDERSTOOD THAT ACP MUST NOT BE LIABLE FOR ANY CONSEQUENTIAL OR INCIDENTAL DAMAGES. ACP MUST NOT UNDER ANY CIRCUMSTANCES BE LIABLE FOR SPECIAL, INCIDENTAL OR CONSEQUENTIAL DAMAGES, SUCH AS, BUT NOT LIMITED TO DAMAGES OR LOSS OF OTHER PROPERTY OR EQUIPMENT, LOSS OF PROFITS OR REVENUE, COST OF CAPITAL, COST OF PURCHASED OR REPLACEMENT GOODS, OR CLAIMS OF BUYER OR USER FOR SERVICE INTERRUPTIONS. THE REMEDIES OF THE BUYER SET FORTH HEREIN ARE EXCLUSIVE, AND THE LIABILITY OF ACP WITH RESPECT TO ANY CONTRACT, OR ANYTHING DONE IN CONNECTION THEREWITH SUCH AS THE PERFORMANCE OR BREACH THEREFORE, OR FROM THE MANUFACTURE, SALE, DELIVERY, RESALE, INSTALLATION, OR USE OF ANY GOODS COVERED BY OR FURNISHED UNDER THIS CONTRACT WHETHER ARISING OUT OF CONTRACT, NEGLIGENCE, STRICT TORT, OR UNDER ANY WARRANTY, OR OTHERWISE, MUST NOT EXCEPT AS EXPRESSLY PROVIDED HEREIN, EXCEED THE PRICE OF THE GOODS UPON WHICH SUCH LIABILITY IS BASED.

WITH RESPECT TO THE GOODS SOLD, THE BUYER HEREBY WAIVES ALL LIABILITY ARISING FROM STATUTE, LAW, STRICT LIABILITY IN TORT, OR OTHERWISE, INCLUDING WITHOUT LIMITATION ANY OBLIGATION OF ACP WITH RESPECT TO CONSEQUENTIAL OR INCIDENTAL DAMAGES AND WHETHER OR NOT OCCASIONED BY ACP NEGLIGENCE. TIME LIMIT ON COMMENCING LEGAL ACTIONS: AN ACTION FOR BREACH OF THIS CONTRACT FOR GOOD SOLD OR ANY OTHER ACTION OTHERWISE ARISING OUT OF THIS CONTRACT, MUST BE COMMENCED WITHIN ONE (1) YEAR FROM THE DATE, THE RIGHT, CLAIM, DEMAND OR CAUSE OF ACTION MUST FIRST OCCUR, OR BE BARRED FOREVER.

### SEVERABILITY

IF ANY PROVISION OR CAUSE OF THIS CONTRACT OR APPLICATION THEREOF TO ANY PERSON OR CIRCUMSTANCES IS HELD INVALID OR UNCONSCIONABLE SUCH INVALIDITY OR UNCONSCIONABILITY MUST NOT AFFECT OTHER PROVISIONS OR APPLICATIONS OF THE CONTRACT WHICH CAN BE GIVEN EFFECT WITHOUT THE INVALID OR UNCONSCIONABLE PROVISIONS OF THE CONTRACT ARE DECLARED BE SEVERABLE.

### EQUIPMENT INFORMATION (REQUIRED)

**Job Name:** Click or tap here to

**Sales Order Number:**

Click or tap here to enter text.

**Unit Tag:**

Click or tap here to enter text

**Date of Shipment:**

Click or tap here to enter text.

**Serial Number:** Click or tap here to enter text.

**Unit Model Number:**

Click or tap here to enter text.

## Filter Information

Table 29 - H3 Series A Cabinet Unit Filters

Feature 6B	Qty. Size (cm) [in.]	Type
0	No Pre Filters	
A	(1) 40.6 x 63.5 x 5.1 [16 x 25 x 2]	Pleated MERV 8
B	(1) 40.6 x 63.5 x 10.2 [16 x 25 x 4]	Pleated MERV 8
C		Pleated MERV 11
D		Pleated MERV 13
E		Pleated MERV 14
F	(1) 40.6 x 63.5 x 5.1 and (1) 40.6 x 63.5 x 10.2  [16 x 25 x 2 and 16 x 25 x 4]	Pleated MERV 8 and Pleated MERV 8
G		Pleated MERV 8 and Pleated MERV 11
H		Pleated MERV 8 and Pleated MERV 13
J		Pleated MERV 8 and Pleated MERV 14

Table 30 - H3 Series B Cabinet Unit Filters

Feature 6B	Qty. Size (cm) [in.]	Type
0	No Pre Filters	
A	(2) 40.6 x 50.8 x 5.1 [16 x 20 x 2]	Pleated MERV 8
B	(2) 40.6 x 50.8 x 10.2 [16 x 20 x 4]	Pleated MERV 8
C		Pleated MERV 11
D		Pleated MERV 13
E		Pleated MERV 14
F	(2) 40.6 x 50.8 x 5.1 and (2) 40.6 x 50.8 x 10.2  [16 x 20 x 2 and 16 x 20 x 4]	Pleated MERV 8 and Pleated MERV 8
G		Pleated MERV 8 and Pleated MERV 11
H		Pleated MERV 8 and Pleated MERV 13
J		Pleated MERV 8 and Pleated MERV 14

Table 31 - H3 Series C Cabinet Unit Filters

Feature 6B	Qty. Size (cm) [in.]	Type
0	No Pre Filters	
A	(2) 50.8 x 50.8 x 5.1 and (1) 40.6 x 50.8 x 5.1  [20 x 20 x 2 and 16 x 20 x 2]	Pleated MERV 8
B	(2) 50.8 x 50.8 x 10.2 and (1) 40.6 x 50.8 x 10.2  [20 x 20 x 4 and 16 x 20 x 4]	Pleated MERV 8
C		Pleated MERV 11
D		Pleated MERV 13
E		Pleated MERV 14
F	(2) 50.8 x 50.8 x 5.1 and (1) 40.6 x 50.8 x 5.1 and (2) 50.8 x 50.8 x 10.2 and (1) 40.6 x 50.8 x 10.2  [20 x 20 x 2 and 16 x 20 x 2] and [20 x 20 x 4 and 16 x 20 x 4]	Pleated MERV 8 and Pleated MERV 8
G		Pleated MERV 8 and Pleated MERV 11
H		Pleated MERV 8 and Pleated MERV 13
J		Pleated MERV 8 and Pleated MERV 14

Table 32 - H3 Series D Cabinet Unit Filters

Feature 6B	Qty. Size (cm) [in.]	Type
0	No Pre Filters	
A	(1) 50.8 x 50.8 x 5.1 and (4) 40.6 x 50.8 x 5.1  [20 x 20 x 2 and 16 x 20 x 2]	Pleated MERV 8
B	(1) 50.8 x 50.8 x 10.2 and (4) 40.6 x 50.8 x 10.2  [20 x 20 x 4 and 16 x 20 x 4]	Pleated MERV 8
C		Pleated MERV 11
D		Pleated MERV 13
E		Pleated MERV 14
F	(1) 50.8 x 50.8 x 5.1 and (4) 40.6 x 50.8 x 5.1 and (1) 50.8 x 50.8 x 10.2 and (4) 40.6 x 50.8 x 10.2  [20 x 20 x 2 and 16 x 20 x 2] and [20 x 20 x 4 and 16 x 20 x 4]	Pleated MERV 8 and Pleated MERV 8
G		Pleated MERV 8 and Pleated MERV 11
H		Pleated MERV 8 and Pleated MERV 13
J		Pleated MERV 8 and Pleated MERV 14

Table 33 - H3 Series E Cabinet Unit Filters

Feature 6B	Qty. Size (cm) [in.]	Type
0	No Pre Filters	
A	(6) 40.6 x 63.5 x 5.1 [16 x 25 x 2]	Pleated MERV 8
B	(6) 40.6 x 63.5 x 10.2 [16 x 25 x 4]	Pleated MERV 8
C		Pleated MERV 11
D		Pleated MERV 13
E		Pleated MERV 14
F	(6) 40.6 x 63.5 x 5.1 and (6) 40.6 x 63.5 x 10.2 [16 x 25 x 2 and 16 x 25 x 4]	Pleated MERV 8 and Pleated MERV 8
G		Pleated MERV 8 and Pleated MERV 11
H		Pleated MERV 8 and Pleated MERV 13
J		Pleated MERV 8 and Pleated MERV 14

Table 34 - H3 Series A Cabinet Final Filters

Feature 6C	Qty. Size (cm) [in.]	Type
0	No Final Filters	
A	(1) 40.6 x 63.5 x 5.1 [16 x 25 x 2]	Pleated MERV 8
B	(1) 40.6 x 63.5 x 30.5 [16 x 25 x 12]	Cartridge MERV 11
C		Cartridge MERV 13
D		Cartridge MERV 14
E	(1) 40.6 x 63.5 x 5.1 and 40.6 x 63.5 x 30.5 [16 x 25 x 2 and 16 x 25 x 12]	Pleated MERV 8 and Cartridge MERV 11
F		Pleated MERV 8 and Cartridge MERV 13
G		Pleated MERV 8 and Cartridge MERV 14

Table 35 - H3 Series B Cabinet Final Filters

Feature 6C	Qty. Size (cm) [in.]	Type
0	No Final Filters	
A	(2) 40.6 x 50.8 x 5.1 [16 x 20 x 2]	Pleated MERV 8
B	(2) 40.6 x 50.8 x 30.5 [16 x 20 x 12]	Cartridge MERV 11
C		Cartridge MERV 13
D		Cartridge MERV 14
E	(2) 40.6 x 50.8 x 5.1 and (2) 40.6 x 50.8 x 30.5 [16 x 20 x 2 and 16 x 20 x 12]	Pleated MERV 8 and Cartridge MERV 11
F		Pleated MERV 8 and Cartridge MERV 13
G		Pleated MERV 8 and Cartridge MERV 14

Table 36 - H3 Series C Cabinet Final Filters

Feature 6C	Qty. Size (cm) [in.]	Type
0	No Final Filters	
A	(2) 50.8 x 50.8 x 5.1 and (1) 40.6 x 50.8 x 5.1  [20 x 20 x 2 and 16 x 20 x 2]	Pleated MERV 8
B	(2) 50.8 x 50.8 x 30.5 and (1) 40.6 x 50.8 x 30.5  [20 x 20 x 12 and 16 x 20 x 12]	Cartridge MERV 11
C		Cartridge MERV 13
D		Cartridge MERV 14
E	(2) 50.8 x 50.8 x 5.1 and (1) 40.6 x 50.8 x 5.1 and (2) 50.8 x 50.8 x 30.5 and (1) 40.6 x 50.8 x 30.5  [20 x 20 x 2 and 16 x 20 x 2] and [20 x 20 x 12 and 16 x 20 x 12]	Pleated MERV 8 and Cartridge MERV 11
F		Pleated MERV 8 and Cartridge MERV 13
G		Pleated MERV 8 and Cartridge MERV 14

Table 37 - H3 Series D Cabinet Final Filters

Feature 6C	Qty. Size (cm) [in.]	Type
0	No Final Filters	
A	(4) 50.8 x 50.8 x 5.1 [20 x 20 x 2]	Pleated MERV 8
B	(4) 50.8 x 50.8 x 30.5 [20 x 20 x 12]	Cartridge MERV 11
C		Cartridge MERV 13
D		Cartridge MERV 14
E	(4) 50.8 x 50.8 x 5.1 and (4) 50.8 x 50.8 x 30.5  [20 x 20 x 2 and 20 x 20 x 12]	Pleated MERV 8 and Cartridge MERV 11
F		Pleated MERV 8 and Cartridge MERV 13
G		Pleated MERV 8 and Cartridge MERV 14

Table 38 - H3 Series E Cabinet Final Filters

Feature 6C	Qty. Size (cm) [in.]	Type
0	No Final Filters	
A	(6) 40.6 x 63.5 x 5.1 [16 x 25 x 2]	Pleated MERV 8
B	(6) 40.6 x 63.5 x 30.5 [16 x 25 x 12]	Cartridge MERV 11
C		Cartridge MERV 13
D		Cartridge MERV 14
E	(6) 40.6 x 63.5 x 5.1 and (6) 40.6 x 63.5 x 30.5 [16 x 25 x 2 and 16 x 25 x 12]	Pleated MERV 8 and Cartridge MERV 11
F		Pleated MERV 8 and Cartridge MERV 13
G		Pleated MERV 8 and Cartridge MERV 14

Table 39 - H3 Series Energy Recovery OA Filters (Feature 13 ≠ 0)

Unit Size	Qty. Size (cm) [in.]	Type
A	(1) 70 x 30.5 x 5.1 [24 x 12 x 2]	Pleated MERV 8
B	(1) 50.8 x 63.5 x 5.1 [20 x 25 x 2]	Pleated MERV 8
C	(2) 70 x 70 x 5.1 [24 x 24 x 2]	Pleated MERV 8
D	(4) 40.6 x 50.8 x 5.1 (1) 50.8 x 50.8 x 5.1 [16 x 20 x 2] [20 x 20 x 2]	Pleated MERV 8
E	(6) 40.6 x 63.5 x 5.1 [16 x 25 x 2]	Pleated MERV 8

Table 40 - H3 Series Energy Recovery RA Filters (Feature 13 ≠ 0)

Unit Size	Qty. Size (cm) [in.]	Type
A	(1) 40.6 x 50.8 x 5.1 [16 x 20 x 2]	Pleated MERV 8
B	(1) 50.8 x 63.5 x 5.1 [20 x 25 x 2]	Pleated MERV 8
C	(2) 50.8 x 63.5 x 5.1 [20 x 25 x 2]	Pleated MERV 8
D	(4) 40.6 x 50.8 x 5.1 (1) 50.8 x 50.8 x 5.1 [16 x 20 x 2] [20 x 20 x 2]	Pleated MERV 8
E	(6) 40.6 x 63.5 x 5.1 [16 x 25 x 2]	Pleated MERV 8

## Refrigerant Piping Diagrams

See the matching Condensing Unit IOM for Piping Diagrams



## H3 Series Startup Form

Job Name: _____	Date: _____
Address: _____	
Model Number: _____	
Serial Number: _____	Tag: _____
Startup Contractor: _____	
Address: _____	
Phone: _____	

### Pre Startup Checklist

Installing contractor must verify the following items.	
1. Is there any visible shipping damage?	<input type="checkbox"/> Yes <input type="checkbox"/> No
2. Is the unit level?	<input type="checkbox"/> Yes <input type="checkbox"/> No
3. Are the unit clearances adequate for service and operation?	<input type="checkbox"/> Yes <input type="checkbox"/> No
4. Do all access doors open freely and are the handles operational?	<input type="checkbox"/> Yes <input type="checkbox"/> No
5. Have all shipping braces been removed?	<input type="checkbox"/> Yes <input type="checkbox"/> No
6. Have all electrical connections been tested for tightness?	<input type="checkbox"/> Yes <input type="checkbox"/> No
7. Does the electrical service correspond to the unit nameplate?	<input type="checkbox"/> Yes <input type="checkbox"/> No
8. On 208/230V units, has transformer tap been checked?	<input type="checkbox"/> Yes <input type="checkbox"/> No
9. Has overcurrent protection been installed to match the unit nameplate requirement?	<input type="checkbox"/> Yes <input type="checkbox"/> No
10. Have all set screws on the fans been tightened?	<input type="checkbox"/> Yes <input type="checkbox"/> No
11. Do all fans rotate freely?	<input type="checkbox"/> Yes <input type="checkbox"/> No
12. Does the field water piping to the unit appear to be correct per design parameters?	<input type="checkbox"/> Yes <input type="checkbox"/> No
13. Is all copper tubing isolated so that it does not rub?	<input type="checkbox"/> Yes <input type="checkbox"/> No
14. Have the damper assemblies been inspected?	<input type="checkbox"/> Yes <input type="checkbox"/> No
15. Are air filters installed with proper orientation?	<input type="checkbox"/> Yes <input type="checkbox"/> No
16. Have condensate drain and p-trap been connected?	<input type="checkbox"/> Yes <input type="checkbox"/> No
17. Is the TXV sensing bulb in the correct location?	<input type="checkbox"/> Yes <input type="checkbox"/> No
18. Does the TXV sensing bulb have proper thermal contact and is properly insulated?	<input type="checkbox"/> Yes <input type="checkbox"/> No

20. Are ventilation and exhaust openings unobstructed?	<input type="checkbox"/> Yes <input type="checkbox"/> No
21. Are markings, decals, and warnings on unit clearly visible?	<input type="checkbox"/> Yes <input type="checkbox"/> No
22. Are all damaged or illegible markings and warnings replaced?	<input type="checkbox"/> Yes <input type="checkbox"/> No

**Ambient Temperature**

Ambient Dry Bulb Temperature _____ °C/°F	Ambient Wet Bulb Temperature _____ °C/°F
--	--

**Voltage**

L1-L2	L2-L3	L1-L3	L1-Ground	L2-Ground	L3-Ground

**Supply Fan Assembly**

Alignment <input type="checkbox"/>		Check Rotation <input type="checkbox"/>		Nameplate Amps _____	
Number	hp	L1 Volts/Amps	L2 Volts/Amps	L3 Volts/Amps	
1					
2					
VFD Frequency _____			VAV Controls _____		

**Power Exhaust Fan Assembly**

Alignment <input type="checkbox"/>		Check Rotation <input type="checkbox"/>		Nameplate Amps _____	
Number	hp	L1 Volts/Amps	L2 Volts/Amps	L3 Volts/Amps	
1					
2					
VFD Frequency _____			VAV Controls _____		

**Energy Recovery Wheel Assembly**

Wheels Spin Freely <input type="checkbox"/>		Check Rotation <input type="checkbox"/>		FLA _____	
Number	hp	L1 Volts/Amps	L2 Volts/Amps	L3 Volts/Amps	
1					
2					

**Dampers**

OA Operation Check <input type="checkbox"/>	Damper Wiring Check <input type="checkbox"/>	Gears Check <input type="checkbox"/>
RA Operation Check <input type="checkbox"/>	Damper Wiring Check <input type="checkbox"/>	Gears Check <input type="checkbox"/>
EA Operation Check <input type="checkbox"/>	Damper Wiring Check <input type="checkbox"/>	Gears Check <input type="checkbox"/>
Damper Actuator Type: _____		
Economizer Changeover Type and Operation: _____		

**Refrigeration System 1 - Cooling Mode**

	Pressure	Saturated Temperature	Line Temperature	Sub-cooling	Superheat
Discharge				N/A	N/A
Suction				N/A	
Liquid					N/A

**Refrigeration System 2 - Cooling Mode**

	Pressure	Saturated Temperature	Line Temperature	Sub-cooling	Superheat
Discharge				N/A	N/A
Suction				N/A	
Liquid					N/A

**Refrigeration System 3 - Cooling Mode**

	Pressure	Saturated Temperature	Line Temperature	Sub-cooling	Superheat
Discharge				N/A	N/A
Suction				N/A	
Liquid					N/A

**Refrigeration System 4 - Cooling Mode**

	Pressure	Saturated Temperature	Line Temperature	Sub-cooling	Superheat
Discharge				N/A	N/A
Suction				N/A	
Liquid					N/A

**Compressors/DX Cooling**

Check Rotation <input type="checkbox"/>						
Number	L1 Volts/Amps	L2 Volts/Amps	L3 Volts/Amps	Head Pressure KPA/PSIG	Suction Pressure KPA/PSIG	Crankcase Heater Amps
1						
2						
3						
4						

**Air-Cooled Condenser Fans**

Alignment <input type="checkbox"/>		Check Rotation <input type="checkbox"/>		Nameplate Amps _____	
Number	hp	L1 Volts/Amps	L2 Volts/Amps	L3 Volts/Amps	
1					
2					
3					
4					

**Refrigeration System 1 - Heating Mode (Heat Pump Only)**

	Pressure	Saturated Temperature	Line Temperature	Sub-cooling	Superheat
Discharge				N/A	N/A
Suction				N/A	
Liquid					N/A

**Refrigeration System 2 - Heating Mode (Heat Pump Only)**

	Pressure	Saturated Temperature	Line Temperature	Sub-cooling	Superheat
Discharge				N/A	N/A
Suction				N/A	
Liquid					N/A

**Refrigeration System 3 - Heating Mode (Heat Pump Only)**

	Pressure	Saturated Temperature	Line Temperature	Sub-cooling	Superheat
Discharge				N/A	N/A
Suction				N/A	
Liquid					N/A

**Refrigeration System 4 - Heating Mode (Heat Pump Only)**

	Pressure	Saturated Temperature	Line Temperature	Sub-cooling	Superheat
Discharge				N/A	N/A
Suction				N/A	
Liquid					N/A

**Water/Glycol System**

1. Has the entire system been flushed and pressure checked?	<input type="checkbox"/> Yes <input type="checkbox"/> No
2. Has the entire system been filled with fluid?	<input type="checkbox"/> Yes <input type="checkbox"/> No
3. Has air been bled from the heat exchangers and piping?	<input type="checkbox"/> Yes <input type="checkbox"/> No
4. Is the glycol the proper type and concentration (N/A if water)?	<input type="checkbox"/> Yes <input type="checkbox"/> No
5. Is there a minimum load of 50% of the design load?	<input type="checkbox"/> Yes <input type="checkbox"/> No
6. Has the water piping been insulated?	<input type="checkbox"/> Yes <input type="checkbox"/> No
7. What is the freeze point of the glycol (N/A if water)? _____	

**Electric Heating**

Stages _____		Limit Lockout <input type="checkbox"/>		Aux. Limit Lockout <input type="checkbox"/>	
Stage	Amps	Stage	Amps	Stage	Amps
1		5			
2		6			
3		7			
4		8			



# Maintenance Log (E-Coated Coil)

## AAON E-COATED COIL MAINTENANCE RECORD

Installation Site \_\_\_\_\_ Installation Date \_\_\_\_\_  
 Unit Model # \_\_\_\_\_ Unit Location \_\_\_\_\_  
 Unit Serial # \_\_\_\_\_ Customer \_\_\_\_\_

Year 20__	Ambient Temp (°F)	Surface Debris Removed	Coil Cleaned	Approved Cleaner Used	Potable Water Backwash Rinse	Potable Water Frontwash Rinse	Chlorides Removed	Comments
Jan								
Feb								
Mar								
Apr								
May								
Jun								
Jul								
Aug								
Sep								
Oct								
Nov								
Dec								

The following cleaning agents have been approved for use on AAON E-Coated Coils to remove mold, mildew, dust, soot, greasy residue, lint and similar particulate without harming the coated surfaces.

CLEANING AGENT	RESELLER	PART NUMBER	RECOMMENDED CHLORIDE REMOVER
GulfClean™ Coil Cleaner or Enviro-Coil Cleaner	Rectorseal 2601 Spenwick Drive, Houston, Texas 77055 (P): 713-263-8001	G074480 / 80406 or V82540	Rectorseal 2601 Spenwick Drive, Houston, Texas 77055 (P): 713-263-8001
GulfClean Salt Reducer™	" "	G074490 / 80408	

## **Literature Change History**

### **September 2022**

New H3 Series IOM.

### **May 2023**

Added metric conversions equivalents in text and tables. Added new warning labels. Added safety statements. Added KAIC tables for fuse sizing. Removed gas heating information.

### **October 2023**

Added statement 1 about V3 clearances tables. Added they must consider combustible and non-combustible surfaces. Add statement about PARTIAL UNIT AIR CONDITIONERS in section after warning boxes. Added statement in electric heat section about the tested min and max static pressures are between 0.2 – 4.0 inH<sub>2</sub>O.

### **April 2024**

Additional warnings added. Text added to installation section about proper ventilation requirements. Additional checklist items added to Startup form. Sentence added to storage section in regards to ASHRAE 15 requirements.

### **June**

Added UV Lights Text and replacement part number.

### **August 2024**

Added process of Decommissioning the unit. Added text to General Information stating the maximum installation elevation is 11,500 ft.











**AAON**  
**203 Gum Springs Rd.**  
**Longview, TX 75602-1721**  
**www.AAON.com**

**H3 Series UL60335**  
**Installation, Operation &**  
**Maintenance**  
**G117890 Rev. A· 240828**  
**(ACP J000051)**

**Factory Technical Support: 918-382-6450**

**Note:** Before calling Technical Support, please have the model and serial number of the unit available.

**Parts:** For replacement parts, please contact your local AAON Representative.

It is the intent of AAON to provide accurate and current product information. However, in the interest of product improvement, AAON reserves the right to change pricing, specifications, and/or design of its product without notice, obligation, or liability.

Copyright © AAON, all rights reserved throughout the world.  
AAON® and AAONAIRE® are registered trademarks of AAON, Inc., Tulsa, OK.